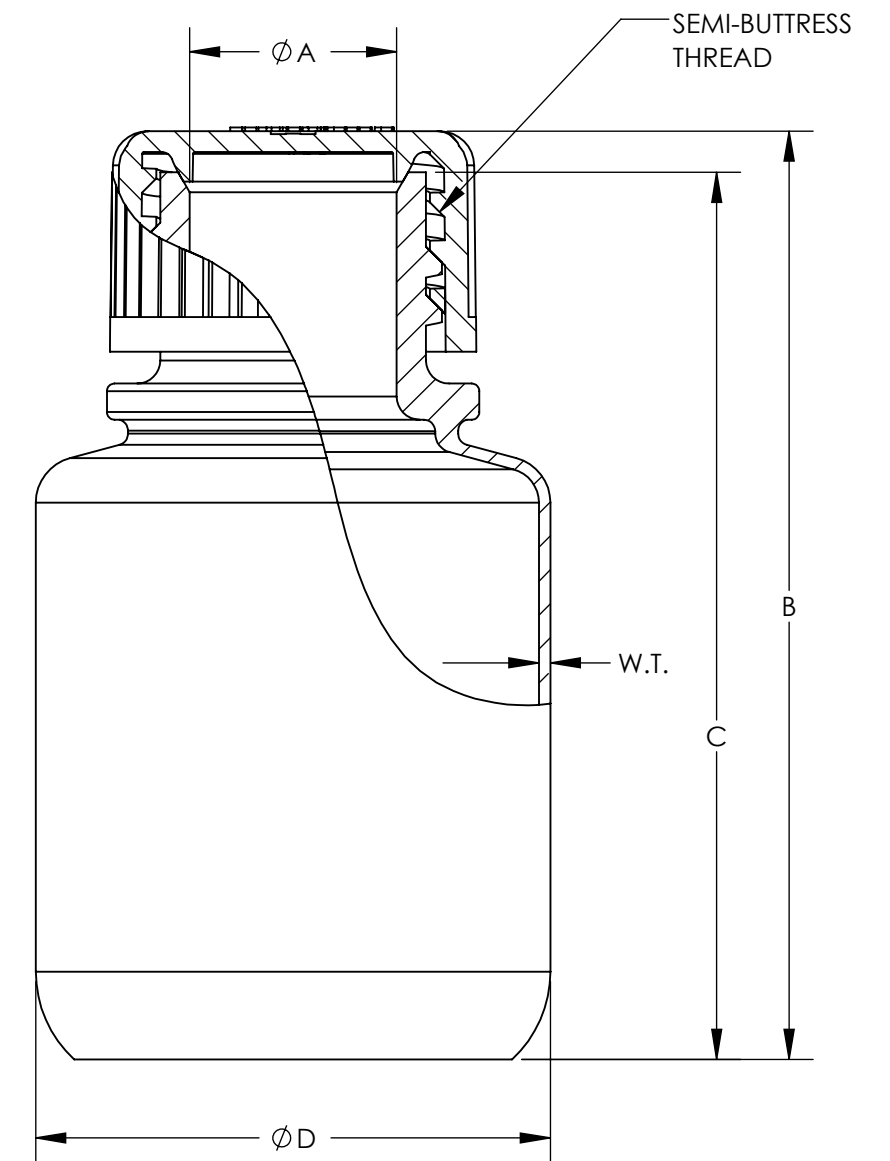


CATOLOG NUMBER	NOMINAL CAPACITY, (OZ)				MATERIALS	
					BOTTLE	CLOSURE
312002	1/8	1/4	1/2	1	HDPE	PP
312004	1/8	1/4	1/2	1	AMBER HDPE	AMBER PP
312006	1/8	1/4	1/2	1	PPCO	PP
312084	1/8	1/4	1/2	1	TRANSLUCENT AMBER HDPE	AMBER PP
2002	1/8	1/4	1/2	1	HDPE	PP
2003	1/8	1/4	1/2	1	LDPE	PP
2004	1/8	1/4	1/2	1	AMBER HDPE	PP
2006	1/8	1/4	1/2	1	PPCO	PP

SIZE CODE	-9125		-9025		-9050		-0001	
SIZE (NOM VOL mL/oz)	4 1/8		8 1/4		15 1/2		30 1	
NOM. BRIM CAP. (mL)	4.2		12		17		34	
NECK FINISH (mm)	13-415		20-415		20-415		20-415	
THREAD (T.P.I.)	12		8		8		8	
NOM. WEIGHT W/CLOSURE (GMS)	2.6		6		7		8	
	INCH	MM	INCH	MM	INCH	MM	INCH	MM
A (BOTTLE NECK I.D.)	0.32±.02	8.1±0.5	0.54±.02	13.7±0.5	0.54±.02	13.7±0.5	0.54±.02	13.7±0.5
B (HT W/CLOSURE)	1.58±.04	40.1±1.0	1.78±.05	45.2±1.3	2.30±.06	58.4±1.5	2.40±.07	61.0±1.8
C (HT W/O CLOSURE)	1.52±.04	38.6±1.0	1.66±.05	42.2±1.3	2.20±.06	55.9±1.5	2.30±.07	58.4±1.8
D (DIAMETER)	0.62±.04	15.8±1.0	0.98±.04	24.9±1.0	0.98±.04	24.9±1.0	1.35±.05	34.3±1.3
W.T. (NOM. WALL THK)	0.050	1.27	0.035	0.90	0.035	0.90	0.035	0.90

1. ALL DIMENSIONS ARE NOMINAL AND IN INCHES AND MILLIMETERS UNLESS OTHERWISE NOTED.
2. THIS IS NOT A PRODUCTION DRAWING, BUT IS FOR INFORMATIONAL PURPOSES ONLY, AND IS SUBJECT TO CHANGE WITHOUT NOTICE.



NOT TO SCALE

### CONFIDENTIAL

THIS PRODUCT SPECIFICATION SHEET CONTAINS CONFIDENTIAL AND/OR PROPRIETARY INFORMATION AND IS TO BE USED ONLY FOR THE EXPRESSED PURPOSES AGREED UPON BY AN AUTHORIZED OFFICER OF THERMO FISHER SCIENTIFIC.

**ThermoFisher**  
SCIENTIFIC

Thermo Fisher Scientific  
75 Panorama Creek Drive  
Rochester, NY 14625

DRAWN: PKK	APPROVED: MJR	DRAWING NUMBER:	REV:
CHECKED: SNG	DATE: 19-12-2024	PSS-31-20XX-XXXX-1	3

SMALL/DIAG(NARROW MOUTH) RND BOTTLES