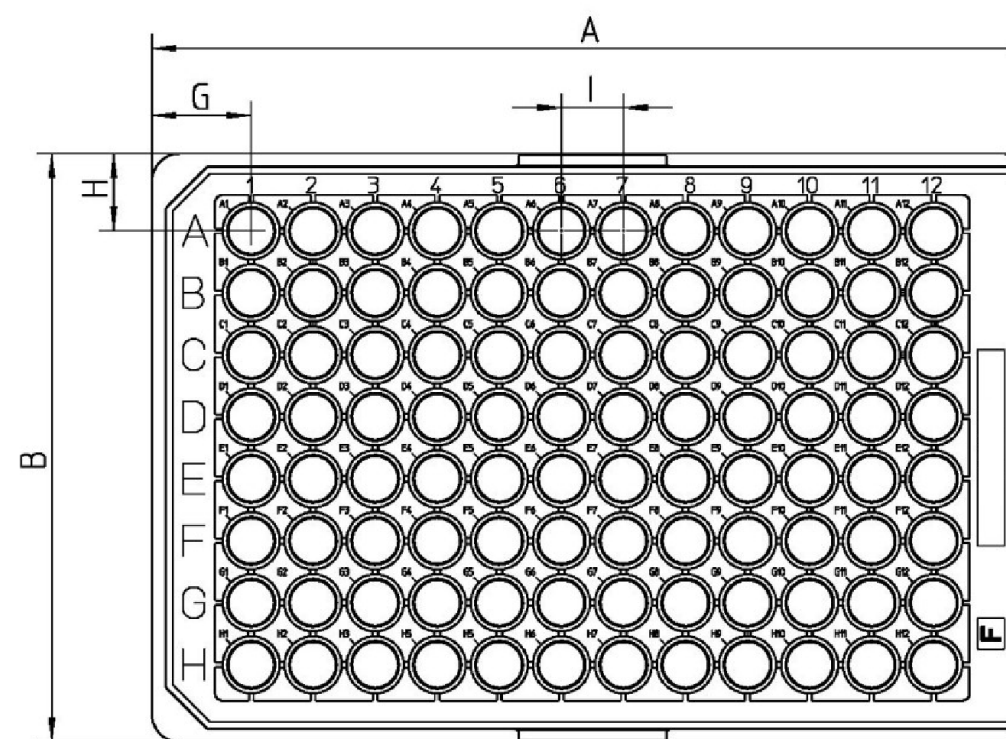
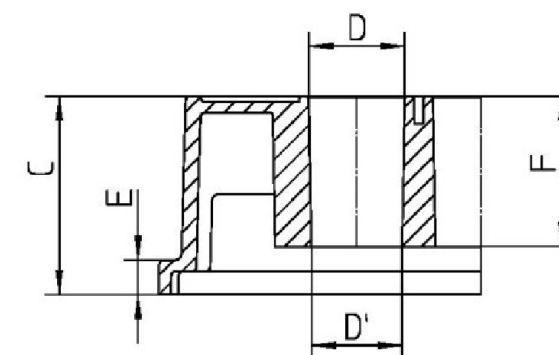


CATALOG NUMBER.....:	8404	
	INCH	MM
A (LENGTH).....:	5.03 ±.01	127.76 ±0.2
B (WIDTH).....:	3.37 ±.01	85.48 ±0.2
C (HEIGHT).....:	0.57	14.4
D (DIA TOP).....:	0.27	6.96
D' (DIA BTM).....:	0.26	6.58
E (FLANGE HT.).....:	0.10	2.5
F (WELL DEPTH).....:	0.43	10.9
G (TO A1 WELL).....:	0.57	14.38
H (TO A1 WELL).....:	0.44	11.24
I (WELL TO WELL).....:	0.35	9.0

1. ALL DIMENSIONS ARE NOMINAL AND IN INCHES AND MILLIMETERS UNLESS OTHERWISE NOTED.
2. THIS IS NOT A PRODUCTION DRAWING, BUT IS FOR INFORMATIONAL PURPOSES ONLY, AND IS SUBJECT TO CHANGE WITHOUT NOTICE.



SPECS ON BACK

NOT TO SCALE

**CONFIDENTIAL**

THIS PRODUCT SPECIFICATION SHEET CONTAINS CONFIDENTIAL AND/OR PROPRIETARY INFORMATION AND IS TO BE USED ONLY FOR THE EXPRESSED PURPOSES AGREED UPON BY AN AUTHORIZED OFFICER OF THERMO FISHER SCIENTIFIC.

**ThermoFisher**  
SCIENTIFIC

Thermo Fisher Scientific  
75 Panorama Creek Drive  
Rochester, NY 14625-2385, USA

MADE	P. BAIRD	APP'D	BR	PSS - 8404	REV. 0909
CK'D	BR		9/24/09		
DESCRIPTION: PS MICROPLATE 96 WELL UV-STAR® CHIMNEY WELL					