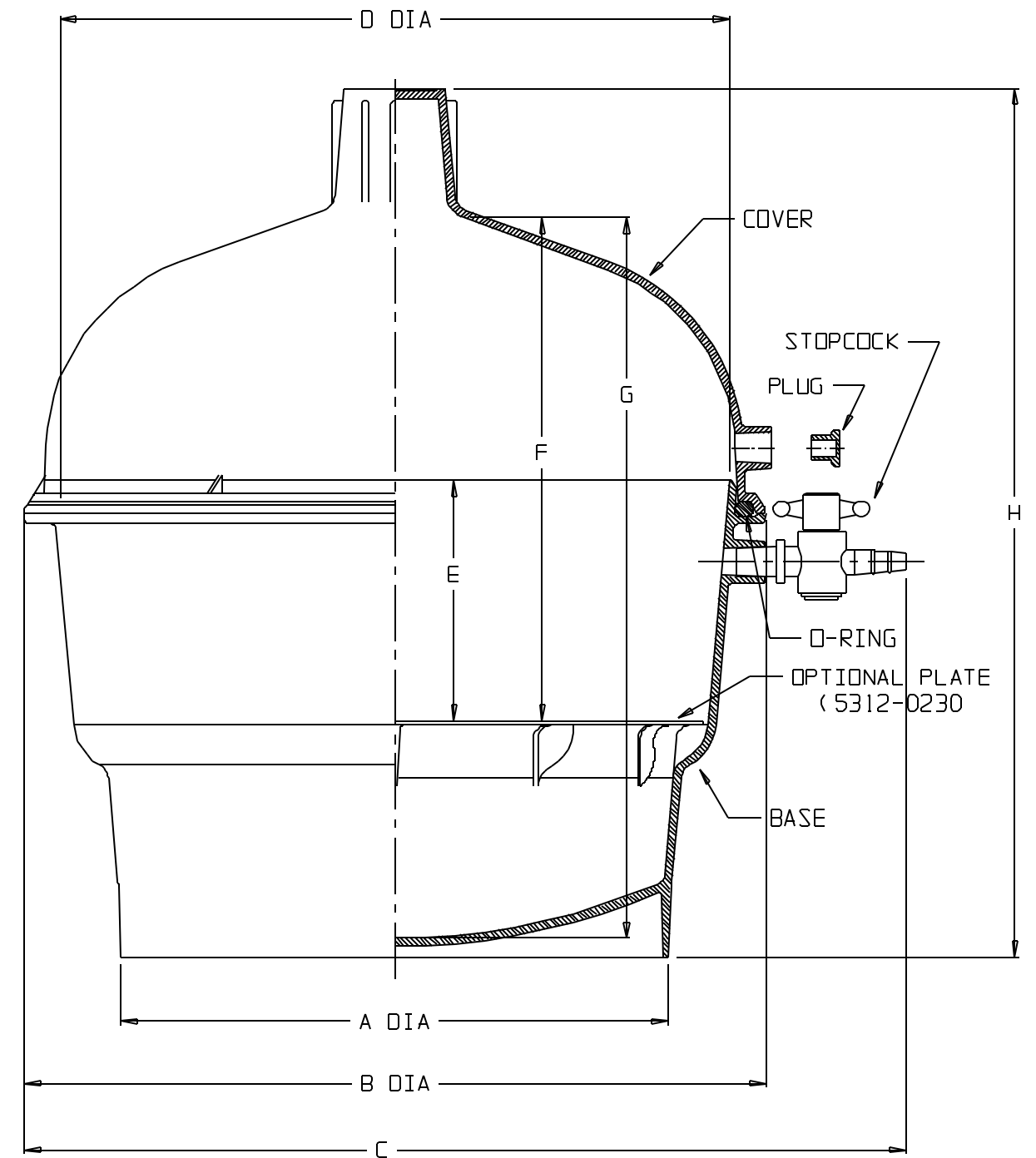


CATALOG NO.....	5311-0250	
NOM. WT. (gms).....	1140	
MATERIAL	COVER.....	PC
	BASE.....	PC
	STOPCOCK...	BLUE PP BODY & TFE PLUG
	O-RING.....	SILICONE
	PLUG (2)...	KRATON
	INCHES	MM
A (BASE DIA.).....	8.12 ±0.08	206.2 ±2.0
B (COVER O.D.).....	11.0 ±0.1	279 ±3
C (W/ STOPCOCK).....	13.1 ±0.1	333 ±3
D (BASE I.D.).....	9.9 ±0.1	251 ±3
E (BASE INSIDE HT.):	3.60 ±0.03	91.4 ±0.8
F (INSIDE).....	7.51 ±0.07	190.8 ±1.8
G (INSIDE HT.).....	11.0 ±0.1	279 ±3
H (OVERALL HT.).....	13.0 ±0.1	330 ±3

THIS DRAWING IS NOT TO BE REPRODUCED
-CONFIDENTIAL-

NOTES:

1. ALL DIMENSIONS ARE NOMINAL AND IN INCHES AND MILLIMETERS UNLESS OTHERWISE NOTED.
2. THIS IS NOT A PRODUCTION DRAWING, BUT IS FOR INFORMATIONAL PURPOSES ONLY, AND IS SUBJECT TO CHANGE WITHOUT NOTICE.



SPECS ON BACK

NOT TO SCALE

CONFIDENTIAL

THIS PRODUCT SPECIFICATION SHEET CONTAINS CONFIDENTIAL AND/OR PROPRIETARY INFORMATION AND IS TO BE USED ONLY FOR THE EXPRESSED PURPOSES AGREED UPON BY AN AUTHORIZED OFFICER OF THERMO FISHER SCIENTIFIC.

ThermoFisher
SCIENTIFIC

Thermo Fisher Scientific
75 Panorama Creek Drive
Rochester, NY 14625-2385, USA

MADE	MCC	APP'D	PVC	PSS 00-5311-0250	REV.	0595
CK'D	PVC		5/8/95			
DESCRIPTION: 250mm DESICCATOR						