

# Thermo Scientific

## Nalgene Safety Waste Funnels & Waste Systems

- Larger funnels for easy waste disposal
- Closures and funnel adapters offer improved durability and versatility
- Latch, gasket and vent plug minimize volume of accidental spillage

Funnels											
Cat. No.	Funnel and Lid					Closure and Funnel Adapter		Funnel Screen Insert	0.45 µm Vent Plug	Container	
	Size, in.	Size, mm	Funnel Cap., L	Funnel Stem Length, cm	Material	Size	Material	Material	Material	Size	Material
6378-0004	5-½	140	0.98	5.6	HDPE	38-430	PP	PP	PP/PTFE	N/A	
6378-0010	10	254	4.09	5.6	HDPE	83B	PP	PP	PP/PTFE	N/A	
Systems											
6379-0004	5-½	140	0.98	5.6	HDPE	38-430	PP	PP	PP/PTFE	4 L	HDPE
6379-0010	10	254	4.09	5.6	HDPE	83B	PP	PP	PP/PTFE	10 L	FLPE

HDPE (high-density polyethylene), PP (polypropylene) and Teflon® PTFE materials are resistant to common laboratory solvents, acids and bases; **they are not resistant to long term UV light exposure.** FLPE (fluorinated HDPE) has improved barrier properties and reduced solvent absorption. Please refer to the Nalgene Labware Catalog for detailed chemical resistance information or call Technical Support at the numbers listed on back.

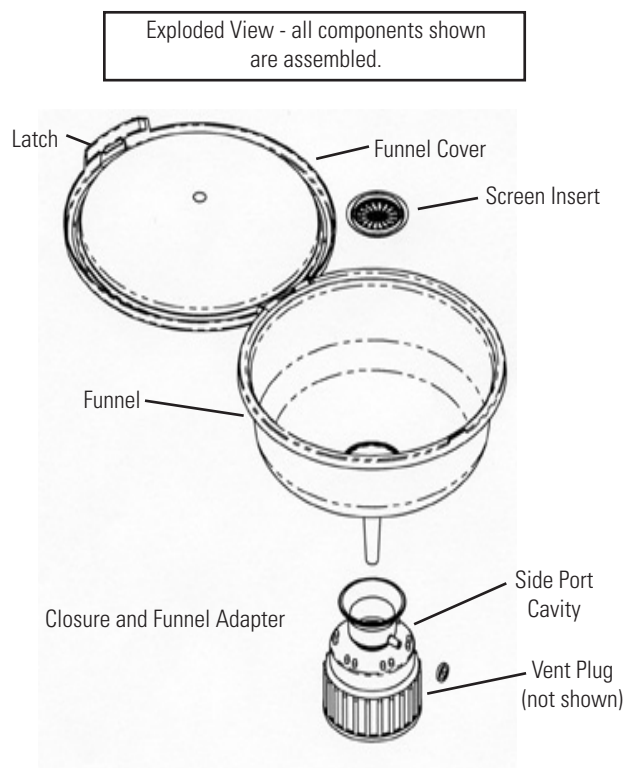
Nalgene® Safety Waste Funnels/System will make your laboratory a better place to work by making chemical and biological disposal fast and easy. When used properly, the systems will reduce the emission of volatiles and other chemical waste in the laboratory and in the fume hood. They are designed as satellite containers for temporary disposal of chemical and biological waste.

The systems include a funnel that is to remain in place on the container until the container is full. When you are finished disposing of waste chemicals, simply close the funnel cover to reduce emissions.

**Warning: For temporary waste disposal only. This product is not a Safety Can as defined by OSHA guidelines.**

### General Handling and Guidelines

1. To set up the system, simply screw the funnel onto the appropriate waste container.
2. Insert vent plug into side port cavity.
3. Turn vent plug away from you and others.
4. Lift the funnel cover to dispose of waste.
5. Close and latch the funnel cover after each disposal to contain emissions.
6. It is recommended that a standard closure or one of similar size be put on the waste container when the system is not in use (i.e. at the end of the day).
7. Waste should be disposed of prior to 90 days of waste (satellite) containment. Inspect the Safety Waste system prior to each use for signs of damage (cracks, crazing, softening, deformation).
8. **Do not use if any signs of container or funnel damage are visible. If damage is noted, discard immediately.**



**NALGENE**

**Thermo**  
SCIENTIFIC

**CAUTION: Mixing and/or dilution of certain chemicals in Nalgene Labware can be potentially dangerous. The reactive combination of different chemicals or compounds of two or more classes may cause an undesirable chemical effect or result in an increase in temperature which can affect chemical resistance (as temperature increases, resistance to attack decreases). Other factors affecting chemical resistance include pressure and internal or external stresses, length of exposure and concentration of the chemical.**

**CAUTION: Turn vent plug away from you and others when pouring in waste.**

**CAUTION: Nalgene Safety Waste Funnel closures are designed to fit Nalgene containers that have semi-butress threads and dimensions. We recommend Nalgene HDPE and FLPE containers for your chemical and biological waste disposal needs. Misuse of the Nalgene Safety Waste Funnels with other containers may result in closure leakage or closure breakage. Closures subjected to misuse will void the Nalgene Warranty.**

#### **Use Good Laboratory Practices**

We recommend "Good Laboratory Practices" (GLP) be used when disposing of/handling liquid waste material and to use the proper cautionary measures when pouring waste into Nalgene Safety Waste Funnels/Systems. Pour large volumes of waste slowly into the funnel; pouring too quickly could result in splashing.

Follow your organization's GLP program. Use the appropriate personal protective equipment when dispensing waste materials. This includes protective goggles, clothing, and gloves. Also use proper ventilation and have the appropriate extinguisher available when handling and disposing of a liquid waste material.

#### **General Cleaning**

For most applications, plastics should be washed with a mild detergent such

as Nalgene Cat. No. 900-series, followed by a rinse with distilled water. Do not use abrasive/strongly alkaline cleaners or brushes on plastic labware. **DO NOT AUTOCLAVE.**

Also available:

- Nalgene Secondary Containers for use with Safety Waste Systems to contain accidental spills (Cat Nos. 6377-0002 and 6377-0004).
- Safety Bottle Carriers make transport easy for bottles up to 4 L (Cat. Nos. 6501-2500, -4000).
- Nalgene Adjustable Teflon Wash Bottles, Cat. Nos. 2400- series for dispensing small volumes of aggressive liquids.

Please see the Nalgene Labware Catalog for a complete listing of Nalgene safety products.

© 2010 Thermo Fisher Scientific Inc. All rights reserved. Teflon is a registered trademark of DuPont. All other trademarks are the property of Thermo Fisher Scientific Inc. and its subsidiaries.

[www.thermoscientific.com](http://www.thermoscientific.com)

**Asia:** China Toll-free: 800-810-5118 or 400-650-5118; India: +91 22 6716 2200, India Toll-free: 1 800 22 8374;

Japan: +81 3 3816 3355

Other Asian countries: 65 68729717

**Europe:** Austria: +43 1 801 40 0; Belgium: +32 53 73 42 41; Denmark: +45 4631 2000; France: +33 2 2803 2180;

Germany: +49 6184 90 6940; Germany Toll-free: 08001-536 376; Italy: +39 02 02 95059 or 434-254-375; Netherlands: +31 76 571 4440;

Nordic/Baltic countries: +358 9 329 100; Russia/CIS: +7 (812) 703 42 15; Spain/Portugal: +34 93 223 09 18; Switzerland: +41 44 454 12 12;

UK/Ireland: +44 870 609 9203

**North America:** USA/Canada +1 585 586 8800; USA Toll-free: 800 625 4327

**South America:** USA sales support: +1 585 899 7198

**Countries not listed:** +49 6184 90 6940 or +33 2 2803 2180

8-0407-40 1210

**Thermo**  
SCIENTIFIC