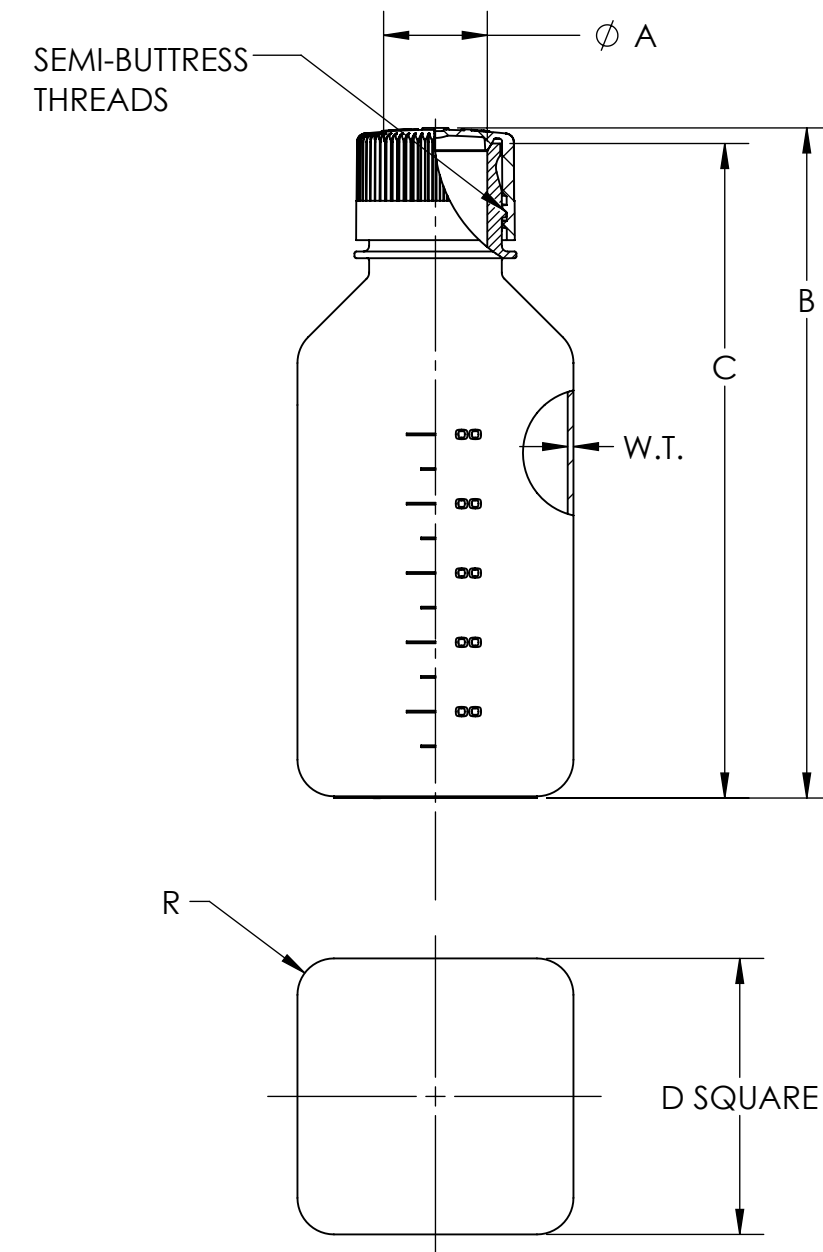


CATALOG NO.	NOMINAL CAPACITY (oz)						MATERIALS	
							BOTTLE	CLOSURE
2019	2	4	8	16	32	64	PETG	WHITE HDPE

SIZE CODE.....:	-0060		-0125		-0250	
SIZE (NOM. VOL. mL/oz):	60/2		125/4		250/8	
NOM. BRIM CAP. (mL)....:	77		175		320	
NECK FINISH (mm).....:	24-415		38-430		38-430	
THREAD (T.P.I.).....:	8		6		6	
NOM. WEIGHT W/CLOSURE (gms).....:	22		52.5		65	
	INCH	MM	INCH	MM	INCH	MM
A (NECK I.D.).....:	0.70 ±0.02	17.8 ±0.5	1.12 ±0.025	28.45 ±0.64	1.12 ±0.025	28.45 ±0.64
B (HT. W/CLOSURE).....:	3.25 ±0.06	82.6 ±1.5	4.26 ±0.08	108.2 ±2.0	5.70 ±0.08	144.8 ±2.0
C (HT. W/O CLOSURE)....:	3.15 ±0.06	80.0 ±1.5	4.08 ±0.08	103.6 ±2.0	5.50 ±0.08	139.7 ±2.0
D (SQUARE).....:	1.58 ±0.05	40.1 ±1.3	2.06 ±0.06	52.3 ±1.5	2.32 ±0.06	58.9 ±1.5
R (CORNER RADIUS).....:	0.21 ±0.03	5.3 ±0.8	0.22 ±0.04	5.6 ±1.0	0.31 ±0.04	7.9 ±1.0
W.T. (NOM. WALL THK.)..:	0.04	1.0	0.06	1.5	0.06	1.5

SIZE CODE.....:	-0500		-1000		-2000	
SIZE (NOM. VOL. mL/oz):	500/16		1000/32		2000/64	
NOM. BRIM CAP. (mL)....:	610		1225		2380	
NECK FINISH (mm).....:	38-430		38-430		53B	
THREAD (T.P.I.).....:	6		6		4	
NOM. WEIGHT W/CLOSURE (gms).....:	116		187		350	
	INCH	MM	INCH	MM	INCH	MM
A (NECK I.D.).....:	1.12 ±0.025	28.45 ±0.64	1.12 ±0.025	28.45 ±0.64	1.56 ±0.03	39.62 ±0.8
B (HT. W/CLOSURE).....:	7.00 ±0.09	177.8 ±2.3	8.63 ±0.10	219.2 ±2.5	10.65 ±0.14	270.5 ±3.6
C (HT. W/O CLOSURE)....:	6.82 ±0.09	173.2 ±2.3	8.48 ±0.10	215.4 ±2.5	10.42 ±0.14	264.7 ±3.6
D (SQUARE).....:	2.86 ±0.06	72.6 ±1.5	3.63 ±0.07	92.2 ±1.8	4.55 ±0.09	115.6 ±2.3
R (CORNER RADIUS).....:	0.38 ±0.04	9.7 ±1.0	0.50 ±0.04	12.7 ±1.0	0.75 ±0.05	19.1 ±1.3
W.T. (NOM. WALL THK.)..:	0.065	1.7	0.05	1.3	0.09	2.3

1. ALL DIMENSIONS ARE NOMINAL AND IN INCHES AND MILLIMETERS UNLESS OTHERWISE NOTED.
2. THIS IS NOT A PRODUCTION DRAWING, BUT IS FOR INFORMATIONAL PURPOSES ONLY, AND IS SUBJECT TO CHANGE WITHOUT NOTICE.



SPECS ON BACK

NOT TO SCALE

CONFIDENTIAL

THIS PRODUCT SPECIFICATION SHEET CONTAINS CONFIDENTIAL AND/OR PROPRIETARY INFORMATION AND IS TO BE USED ONLY FOR THE EXPRESSED PURPOSES AGREED UPON BY AN AUTHORIZED OFFICER OF THERMO FISHER SCIENTIFIC.

ThermoFisher
SCIENTIFIC

Thermo Fisher Scientific
75 Panorama Creek Drive
Rochester, NY 14625

DRAWN: MSA	APPROVED: MJR	DRAWING NUMBER:	REV:
CHECKED: JHH	DATE: 2/6/2024	PSS-00-2019-XXXX-1	7
DESCRIPTION: PETG SQ, MEDIA (LAB QUALITY) BOTTLES			