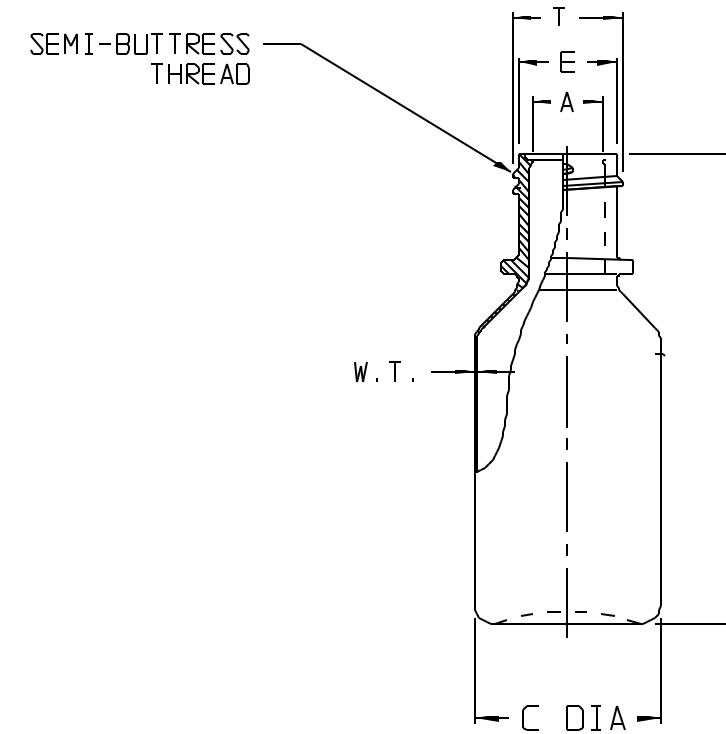


CATALOG NO.	NOMINAL CAPACITY, (oz/mL)			MATERIALS
	1/8 /4	1/4 /8	1/2 /15	
312750	1/8 /4	1/4 /8	1/2 /15	LOPE (NATURAL)
312751	1/8 /4	1/4 /8	1/2 /15	LOPE (WHITE)

SIZE CODE.....:	-9125		-9025		-9050	
SIZE (NOM VOL mL/oz):	4/ 1/8		8/ 1/4		15/ 1/2	
NOM. BRIM CAP. (mL):	6.8		9.4		17.9	
NECK FINISH (mm):	15		15		15	
THREAD (T.P.I.):	12		12		12	
NOM. WEIGHT (gms):	2.2		2.7		3.7	
	IN.	mm	IN.	mm	IN.	mm
A (NECK I.D.):	0.40 ±.01	10.2 ±.25	0.40 ±.01	10.2 ±.25	0.40 ±.01	10.2 ±.3
B (HT.):	1.64 ±.02	41.5 ±.5	2.05 ±.02	52.1 ±.5	2.45 ±.02	62.2 ±.5
C (DIA):	0.78 ±.03	19.7 ±.8	0.78 ±.03	19.7 ±.8	0.95 ±.04	24.5 ±1.0
E (THD MINOR DIA):	.515 ±.020	13.08 ±.51	.515 ±.020	13.08 ±.51	.515 ±.020	13.08 ±.51
T (THD MAJOR DIA):	.570 ±.015	14.48 ±.38	.570 ±.015	14.48 ±.38	.570 ±.015	14.48 ±.38
W.T. (MIN. WALL THK):	.008	0.20	.008	0.20	.008	0.20

NOTES:

1. ALL DIMENSIONS ARE NOMINAL AND IN INCHES AND MILLIMETERS UNLESS OTHERWISE NOTED.
2. THIS IS NOT A PRODUCTION DRAWING, BUT IS FOR INFORMATIONAL PURPOSES ONLY, AND IS SUBJECT TO CHANGE WITHOUT NOTICE.



SPECIAL FOR DAKO LK

SPECS ON BACK

NOT TO SCALE

CONFIDENTIAL

THIS PRODUCT SPECIFICATION SHEET CONTAINS CONFIDENTIAL AND/OR PROPRIETARY INFORMATION AND IS TO BE USED ONLY FOR THE EXPRESSED PURPOSES AGREED UPON BY AN AUTHORIZED OFFICER OF THERMO FISHER SCIENTIFIC.

ThermoFisher
SCIENTIFIC

Thermo Fisher Scientific
75 Panorama Creek Drive
Rochester, NY 14625-2385, USA

MADE	ISP	APP'D	PVC	PSS 31-275X-9XXX-S	REV.	1000
CHK'D	PVC		10/6/00			

DESCRIPTION:

DROPPER BOTTLES