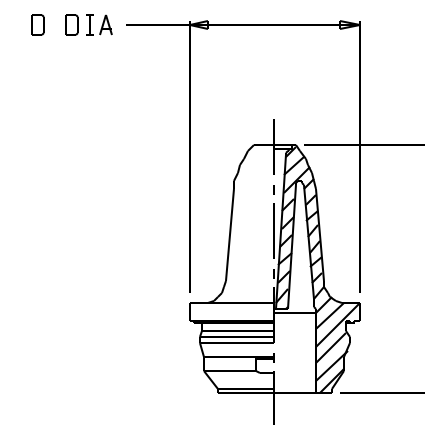


CATALOG NUMBER . . . :	31-2759-0001	
NOMINAL SIZE (mm):	15	
MATERIAL :	NAT. POLYETHYLENE	
NOM. WEIGHT (gms):	0.4	
	INCH	MM
D (DIA) :	.44 ±.02	11.2 ±.5
H (HEIGHT) :	.65 ±.02	16.5 ±.5



SPECS ON BACK

NOT TO SCALE

NOTES:

1. ALL DIMENSIONS ARE NOMINAL AND IN INCHES AND MILLIMETERS UNLESS OTHERWISE NOTED.
2. THIS IS NOT A PRODUCTION DRAWING, BUT IS FOR INFORMATIONAL PURPOSES ONLY, AND IS SUBJECT TO CHANGE WITHOUT NOTICE.

CONFIDENTIAL

THIS PRODUCT SPECIFICATION SHEET CONTAINS CONFIDENTIAL AND/OR PROPRIETARY INFORMATION AND IS TO BE USED ONLY FOR THE EXPRESSED PURPOSES AGREED UPON BY AN AUTHORIZED OFFICER OF THERMO FISHER SCIENTIFIC.

ThermoFisher
SCIENTIFIC

Thermo Fisher Scientific
75 Panorama Creek Drive
Rochester, NY 14625-2385, USA

MADE	ISP	APP'D	PVC	PSS 31-2759-0001	REV.
CK'D	GRP		3/24/00		0300

DESCRIPTION:

CONTROLLED DROPPER TIP