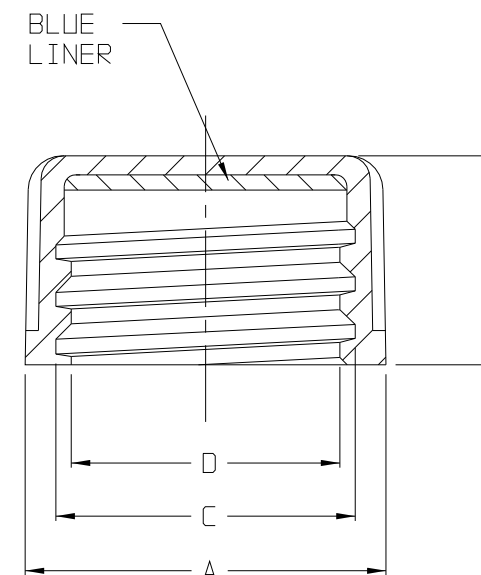


CATALOG NO.	MATERIALS	
	CLOSURE	LINER*
312158-0021	WHITE HDPE	BLUE HDPE/LDPE
312158-0022	BLACK HDPE	BLUE HDPE/LDPE

NOMINAL WEIGHT (gms).....:	1.5	
	INCH	MM
A (CLOSURE O.D.).....:	0.870 ±.010	22.10 ±.25
B (CLOSURE HEIGHT).....:	0.560 ±.010	14.20 ±.25
C (MAJOR THREAD DIA. (T)):	0.792 ±.004	20.10 ±.10
D (MINOR THREAD DIA. (F)):	0.711 ±.004	18.05 ±.10

* BLUE LINER IS THREE-PLY COEXTRUDED MATERIAL CONSISTING OF FOAMED LDPE CORE BETWEEN 2 SOLID LAYERS OF HDPE.



SPECS ON BACK

NOT TO SCALE

NOTES:

1. ALL DIMENSIONS ARE NOMINAL AND IN INCHES AND MILLIMETERS UNLESS OTHERWISE NOTED.
2. THIS IS NOT A PRODUCTION DRAWING, BUT IS FOR INFORMATIONAL PURPOSES ONLY, AND IS SUBJECT TO CHANGE WITHOUT NOTICE.

CONFIDENTIAL

THIS PRODUCT SPECIFICATION SHEET CONTAINS CONFIDENTIAL AND/OR PROPRIETARY INFORMATION AND IS TO BE USED ONLY FOR THE EXPRESSED PURPOSES AGREED UPON BY AN AUTHORIZED OFFICER OF THERMO FISHER SCIENTIFIC.

ThermoFisher
SCIENTIFIC

Thermo Fisher Scientific
75 Panorama Creek Drive
Rochester, NY 14625-2385, USA

MADE	JDC	APP'D	PWC	PSS 31-2158-002X	REV.
CK'D	KDW		3/13/15		0315

DESCRIPTION:

20mm LINED CLOSURES