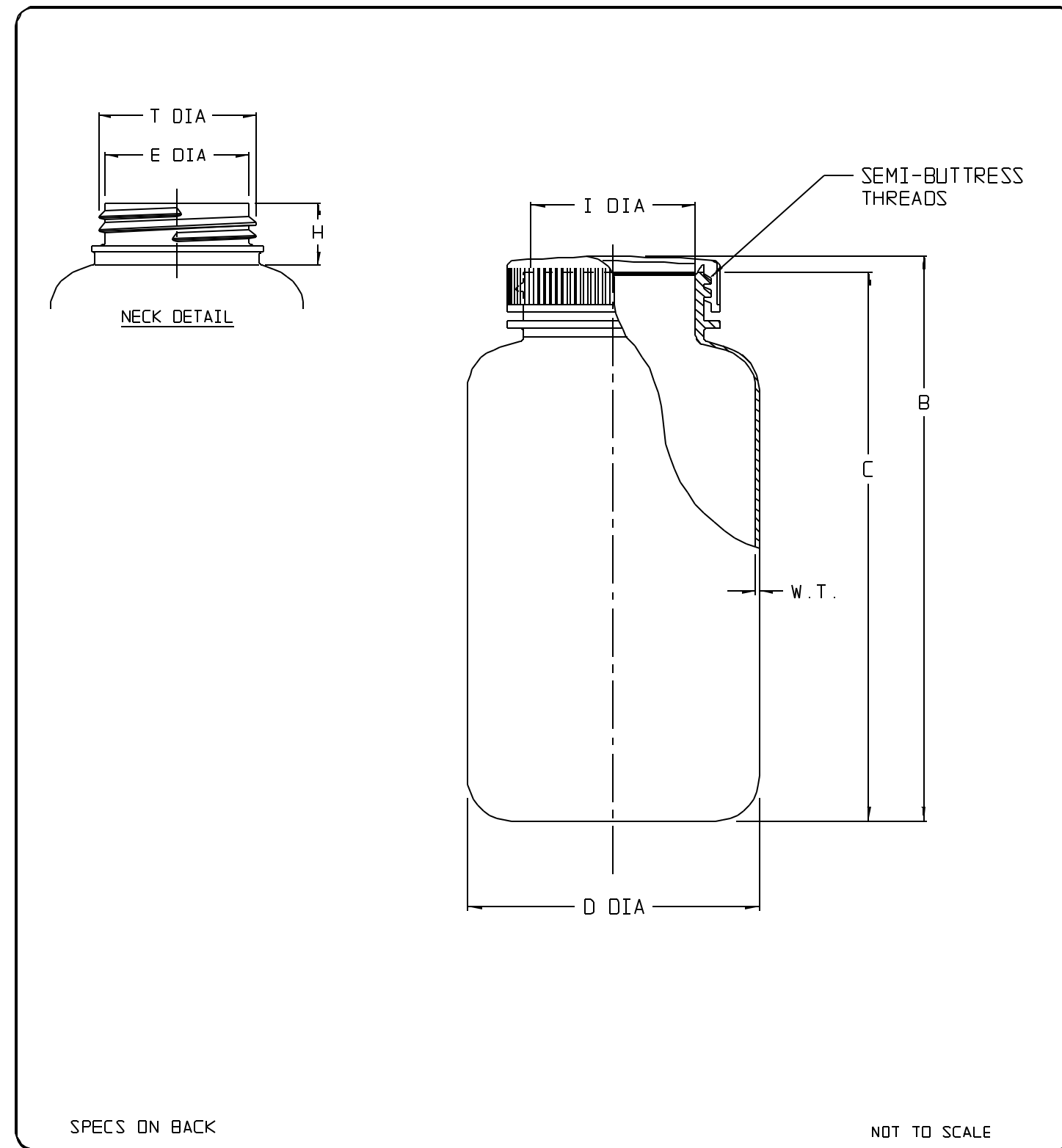


CATALOG NO.	NOMINAL CAPACITY, (oz)						MATERIALS	
							BOTTLE	CLOSURE
312105	1	2	4	8	16	32	PPCO	PP
SIZE CODE.....	-0001		-0002		-0004			
SIZE (NOM VOL mL/oz)	30/1		60/2		125/4			
NOM. BRIM CAP. (nL):	38		70		150			
NECK FINISH (mm)....	28-415		28-415		38-415			
THREAD (T.P.I.).....	6		6		6			
NOM. WEIGHT W/CLOSURE (gms).....	11		15		25			
	IN.	MM	IN.	MM	IN.	MM		
I (NECK I.D.).....	0.83 ±0.02	21.1 ±0.5	0.83 ±0.02	21.1 ±0.5	1.110 ±0.025	28.2 ±0.64		
B (HT. W/CLOSURE)...	2.49 ±0.07	63.2 ±1.8	3.39 ±0.08	86.1 ±2.0	3.91 ±0.08	99.3 ±2.0		
C (HT. W/O CLOSURE):	2.35 ±0.07	59.7 ±1.8	3.26 ±0.08	82.8 ±2.0	3.76 ±0.08	95.5 ±2.0		
D (DIA).....	1.35 ±0.05	34.3 ±1.3	1.53 ±0.06	38.9 ±1.5	1.98 ±0.06	50.3 ±1.5		
T (DIA).....	1.092 <sup>+0.000</sup> / <sub>-0.027</sub>	27.74 <sup>+0.00</sup> / <sub>-0.69</sub>	1.095 <sup>+0.000</sup> / <sub>-0.027</sub>	27.81 <sup>+0.00</sup> / <sub>-0.56</sub>	1.480 <sup>+0.000</sup> / <sub>-0.020</sub>	37.59 <sup>+0.00</sup> / <sub>-0.51</sub>		
E (DIA).....	0.994 <sup>+0.000</sup> / <sub>-0.015</sub>	25.25 <sup>+0.00</sup> / <sub>-0.38</sub>	0.994 <sup>+0.000</sup> / <sub>-0.015</sub>	25.25 <sup>+0.00</sup> / <sub>-0.38</sub>	1.299 <sup>+0.000</sup> / <sub>-0.025</sub>	32.99 <sup>+0.00</sup> / <sub>-0.64</sub>		
H.....	0.696 ±0.025	17.68 ±0.64	0.760 ±0.030	19.30 ±0.76	0.775 ±0.025	19.69 ±0.64		
W.T.(NOM. WALL THK):	0.035	0.89	0.040	1.00	0.045	1.14		
SIZE CODE.....	-0008		-0016		-0032			
SIZE (NOM VOL mL/oz)	250/8		500/16		1000/32			
NOM. BRIM CAP. (nL):	290		550		1100			
NECK FINISH (mm)....	43-415		53-415		63-415			
THREAD (T.P.I.).....	6		6		6			
NOM. WEIGHT W/CLOSURE (gms).....	36		62		110			
	IN.	MM	IN.	MM	IN.	MM		
I (NECK I.D.).....	1.300 ±0.025	33.0 ±0.6	1.720 ±0.025	43.7 ±0.6	2.07 ±0.03	52.6 ±0.8		
B (HT. W/CLOSURE)...	5.16 ±0.08	131.1 ±2.0	6.62 ±0.09	168.2 ±2.3	7.84 ±0.10	199.1 ±2.5		
C (HT. W/O CLOSURE):	5.01 ±0.08	127.3 ±2.0	6.45 ±0.09	163.8 ±2.3	7.67 ±0.10	194.8 ±2.5		
D (DIA).....	2.40 ±0.07	61.0 ±1.8	2.86 ±0.08	72.6 ±2.0	3.60 ±0.08	91.4 ±2.0		
T (DIA).....	1.654 <sup>+0.000</sup> / <sub>-0.030</sub>	42.01 <sup>+0.00</sup> / <sub>-0.76</sub>	2.067 <sup>+0.000</sup> / <sub>-0.040</sub>	52.50 <sup>+0.00</sup> / <sub>-1.02</sub>	2.461 <sup>+0.000</sup> / <sub>-0.035</sub>	62.51 <sup>+0.00</sup> / <sub>-0.89</sub>		
E (DIA).....	1.470 <sup>+0.000</sup> / <sub>-0.030</sub>	37.34 <sup>+0.00</sup> / <sub>-0.76</sub>	1.885 <sup>+0.000</sup> / <sub>-0.035</sub>	47.88 <sup>+0.00</sup> / <sub>-0.89</sub>	2.277 <sup>+0.000</sup> / <sub>-0.035</sub>	57.84 <sup>+0.00</sup> / <sub>-0.89</sub>		
H.....	0.795 ±0.025	20.19 ±0.64	0.875 ±0.025	22.23 ±0.64	0.825 ±0.025	20.96 ±0.64		
W.T.(NOM. WALL THK):	0.050	1.27	0.060	1.52	0.060	1.52		

NOTES:

1. ALL DIMENSIONS ARE NOMINAL AND IN INCHES AND MILLIMETERS UNLESS OTHERWISE NOTED.
2. THIS IS NOT A PRODUCTION DRAWING, BUT IS FOR INFORMATIONAL PURPOSES ONLY, AND IS SUBJECT TO CHANGE WITHOUT NOTICE.



CONFIDENTIAL

THIS PRODUCT SPECIFICATION SHEET CONTAINS CONFIDENTIAL AND/OR PROPRIETARY INFORMATION AND IS TO BE USED ONLY FOR THE EXPRESSED PURPOSES AGREED UPON BY AN AUTHORIZED OFFICER OF THERMO FISHER SCIENTIFIC.

**ThermoFisher**  
**SCIENTIFIC**

Thermo Fisher Scientific  
75 Ponorama Creek Drive  
Rochester, NY 14625-2385, USA

MADE	MC <sup>2</sup>	APP'D	GRP	PSS 31-2105-XXXX-S	REV.
CK'D	DM		12/18/06		1106

DESCRIPTION: WIDE-MOUTH, ROUND LAB QUALITY BOTTLES