

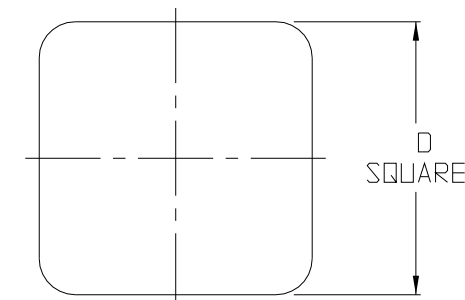
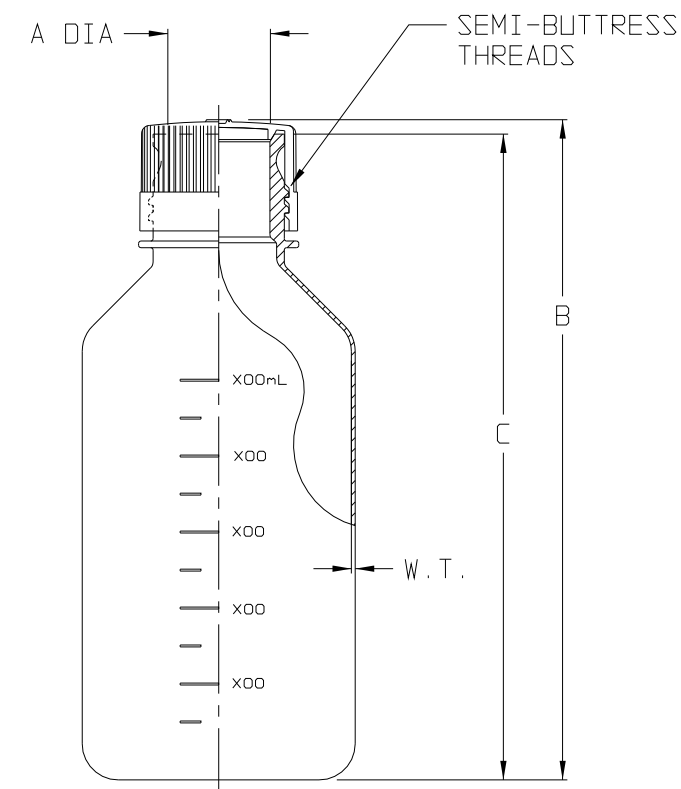
CATALOG NO.	NOMINAL CAPACITY, (oz)						MATERIALS	
							BOTTLE	CLOSURE
312016	1	2	4	8	16	32	PPCO	PP
312018	—	2	4	8	16	32	HDPE	PP

SIZE CODE.....	-0030		-0060		-0125	
SIZE (NOM VOL mL/oz)	30/ 1		60/ 2		125/ 4	
NOM. BRIM CAP. (mL):	45		80		180	
NECK FINISH (mm)....	20-415		24-415		38-430	
THREAD (T.P.I.).....	8		8		6	
NOM. WEIGHT W/CLOSURE (gms).....	10		14		40	
	INCH	MM	INCH	MM	INCH	MM
A (NECK I.D.).....	0.55 ±.02	14.0 ±0.5	0.70 ±.02	17.8 ±0.5	1.100 ±.025	27.94 ±0.64
B (HT. W/CLOSURE)...	2.50 ±.07	63.5 ±1.8	3.30 ±.08	83.8 ±2.0	4.32 ±.08	109.7 ±2.0
C (HT. W/O CLOSURE):	2.43 ±.07	61.7 ±1.8	3.21 ±.08	81.5 ±2.0	4.15 ±.08	105.4 ±2.0
D (SQUARE).....	1.52 ±.06	38.6 ±1.5	1.61 ±.06	40.9 ±1.5	2.12 ±.07	53.8 ±1.8
W.T. (NOM WALL THK):	.04	1.0	.04	1.0	.06	1.5

SIZE CODE.....	-0250		-0500		-1000	
SIZE (NOM VOL mL/oz)	250/ 8		500/ 16		1000/ 32	
NOM. BRIM CAP. (mL):	330		620		1230	
NECK FINISH (mm)....	38-430		38-430		38-430	
THREAD (T.P.I.).....	6		6		6	
NOM. WEIGHT W/CLOSURE (gms).....	50		75		120	
	INCH	MM	INCH	MM	INCH	MM
A (NECK I.D.).....	1.100 ±.025	27.94 ±0.64	1.100 ±.025	27.94 ±0.64	1.100 ±.025	27.94 ±0.64
B (HT. W/CLOSURE)...	5.74 ±.08	145.8 ±2.0	6.98 ±.09	177.3 ±2.3	8.65 ±.10	219.7 ±2.5
C (HT. W/O CLOSURE):	5.58 ±.08	141.7 ±2.0	6.81 ±.09	173.0 ±2.3	8.46 ±.10	214.9 ±2.5
D (SQUARE).....	2.41 ±.07	61.2 ±1.8	2.93 ±.08	74.4 ±2.0	3.70 ±.08	94.0 ±2.0
W.T. (NOM WALL THK):	.06	1.5	.065	1.7	.05	1.3

NOTES:

1. ALL DIMENSIONS ARE NOMINAL AND IN INCHES AND MILLIMETERS UNLESS OTHERWISE NOTED.
2. THIS IS NOT A PRODUCTION DRAWING, BUT IS FOR INFORMATIONAL PURPOSES ONLY, AND IS SUBJECT TO CHANGE WITHOUT NOTICE.



SPECS ON BACK

NOT TO SCALE

CONFIDENTIAL

THIS PRODUCT SPECIFICATION SHEET CONTAINS CONFIDENTIAL AND/OR PROPRIETARY INFORMATION AND IS TO BE USED ONLY FOR THE EXPRESSED PURPOSES AGREED UPON BY AN AUTHORIZED OFFICER OF THERMO FISHER SCIENTIFIC.

**ThermoFisher**  
SCIENTIFIC

Thermo Fisher Scientific  
75 Panorama Creek Drive  
Rochester, NY 14625-2385, USA

MADE TL	APP'D GRP	PSS 31-201X-XXXX-2	REV. 0212
CK'D PB	2/29/12		
DESCRIPTION: SQUARE, GRADUATED (NARROW MOUTH) LAB QUALITY BOTTLES			