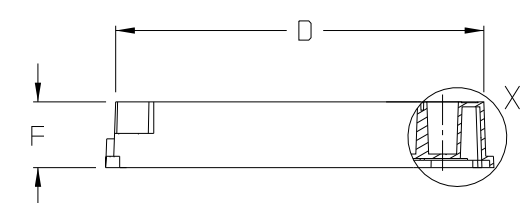
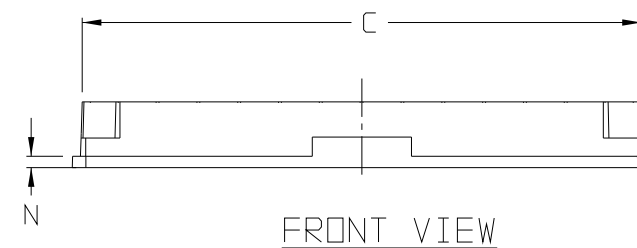
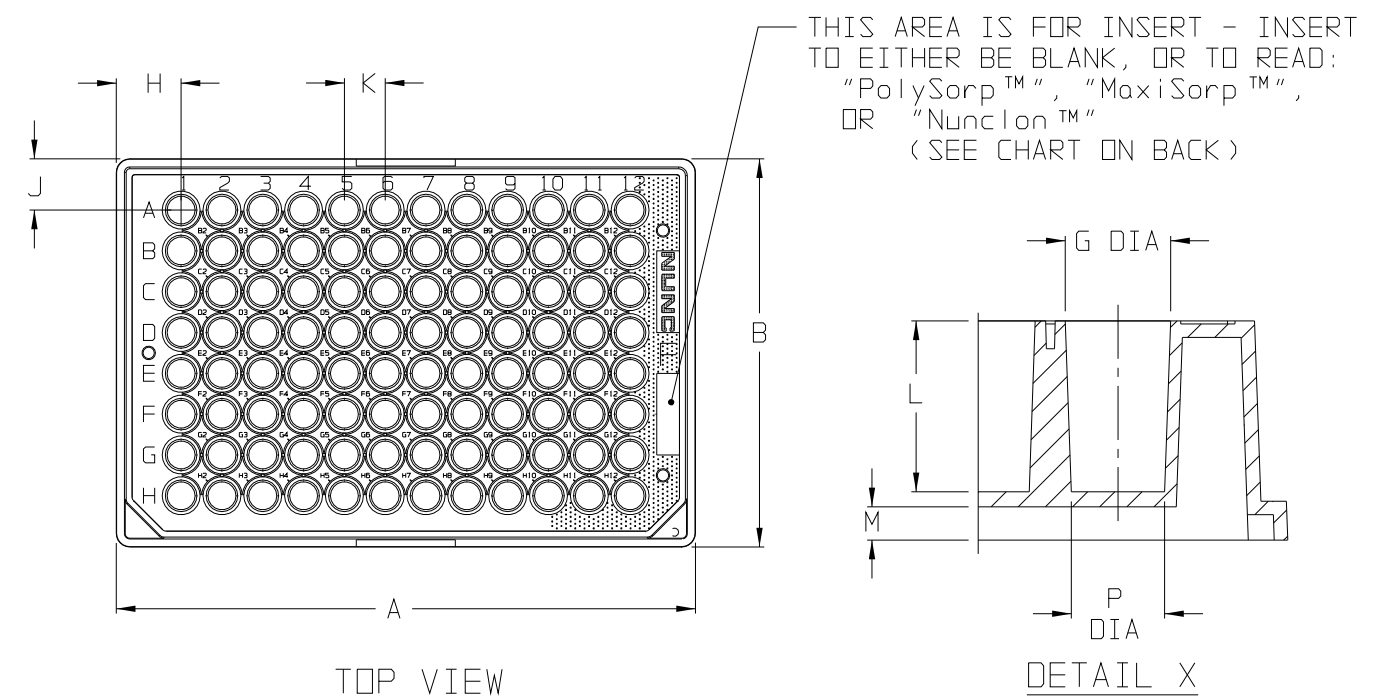


CATALOG NUMBER.....	SEE BELOW	
NOM. CAP. (μl).....	400	
MATERIAL.....	PS	
	INCH	MM
A (BASE LENGTH).....	5.030±.010	127.76±0.25
B (BASE WIDTH).....	3.365±.010	85.47±0.25
C (TOP LENGTH).....	4.85	123.3
D (TOP WIDTH).....	3.20	81.2
F (OVERALL HEIGHT).....	0.57	14.4
G (TOP OF WELL DIA).....	0.27	7.0
H (A-1 LOCATION) (X).....	0.57	14.4
J (A-1 LOCATION) (Y).....	0.44	11.2
K (WELL-TO-WELL SPACING)....	0.35	9.0
L (WELL DEPTH).....	0.45	11.3
M (BOTTOM OF WELL DISTANCE):	.09	2.2
N (FLANGE HEIGHT).....	.10	2.5
P (BOTTOM OF WELL DIA).....	.24	6.1

CATALOG NUMBER	SURFACE	COLOR	STERILE	UNITS PER PACK/CASE
166118	NUNCLON™	CLEAR	YES	25/100
166119	NUNCLON™	CLEAR	YES	1/50
266120	NON-TREATED	CLEAR	YES	25/100
269620	NON-TREATED	CLEAR	NO	5/60
269787	NON-TREATED	CLEAR	YES	1/50
439454	MAXISORP™	CLEAR	NO	5/60
442404	MAXISORP™	CLEAR	NO	5/60
475094	POLYSORP™	CLEAR	NO	5/60

NOTES:

1. ALL DIMENSIONS ARE NOMINAL AND IN INCHES AND MILLIMETERS UNLESS OTHERWISE NOTED.
2. THIS IS NOT A PRODUCTION DRAWING, BUT IS FOR INFORMATIONAL PURPOSES ONLY, AND IS SUBJECT TO CHANGE WITHOUT NOTICE.



SPECS ON BACK

NOT TO SCALE

CONFIDENTIAL

THIS PRODUCT SPECIFICATION SHEET CONTAINS CONFIDENTIAL AND/OR PROPRIETARY INFORMATION AND IS TO BE USED ONLY FOR THE EXPRESSED PURPOSES AGREED UPON BY AN AUTHORIZED OFFICER OF THERMO FISHER SCIENTIFIC.

ThermoFisher
SCIENTIFIC

Thermo Fisher Scientific
75 Panorama Creek Drive
Rochester, NY 14625-2385, USA

MADE PB	APP'D GRP	PSS 269XXX	REV. 0712
CK'D KDW	7/6/12		
DESCRIPTION: 96 WELL, PS, FLAT BOTTOM PLATE PINCH BAR			