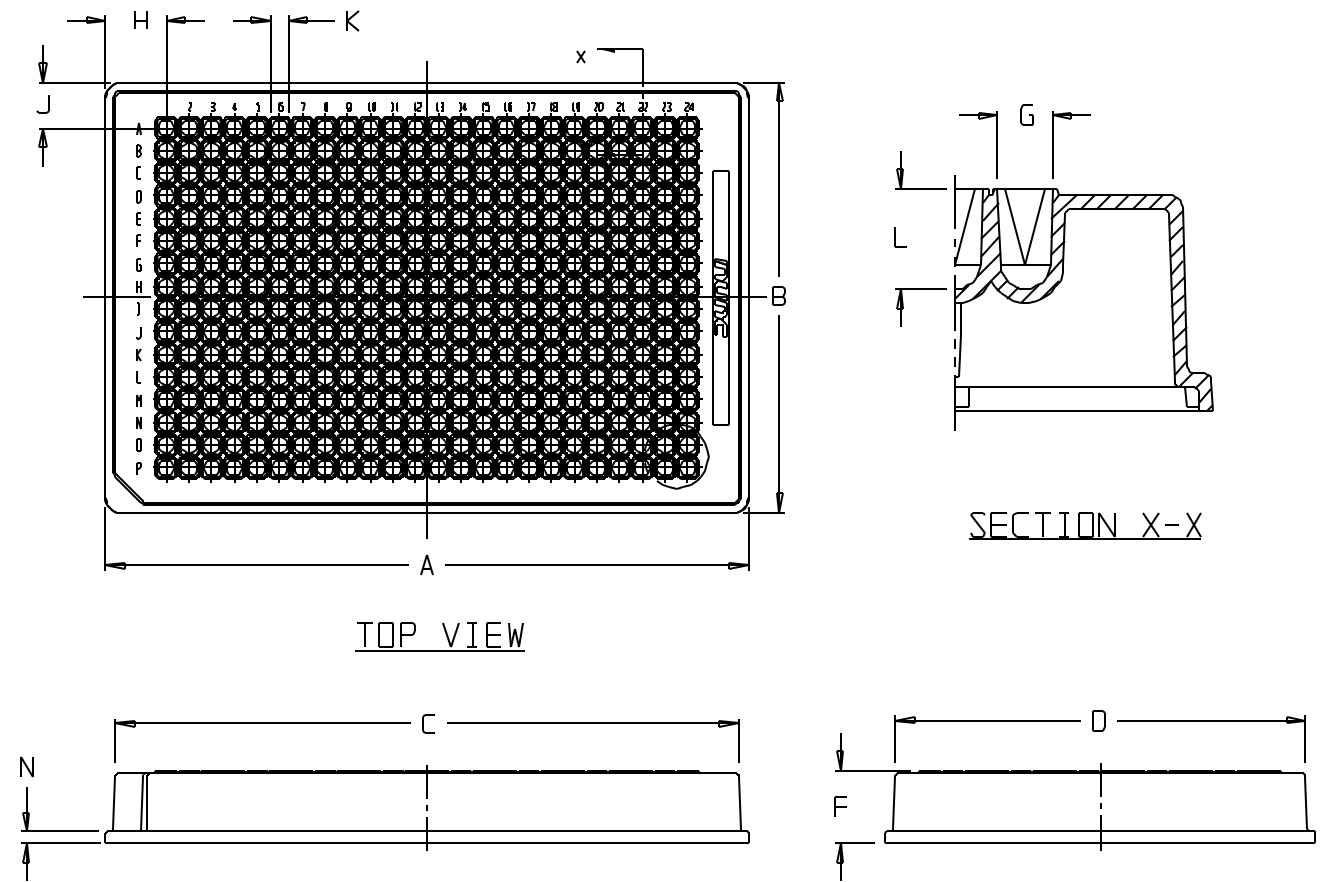


CATALOG NUMBER.....:	SEE BELOW	
NOM. CAP. (mL).....:	0.35	
MATERIAL.....:	PP	
	INCH	MM
A (BASE LENGTH).....:	5.030	127.76
B (BASE WIDTH).....:	3.365	85.47
C (TOP LENGTH).....:	4.85	123.2
D (TOP WIDTH).....:	3.18	80.8
F (OVERALL HEIGHT).....:	0.57	14.5
G DIA.....:	0.14	3.6
H (A-1 LOCATION) (X).....:	0.47	11.9
J (A-1 LOCATION) (Y).....:	0.35	8.9
K (WELL-TO-WELL SPACING).....:	0.18	4.6
L (WELL DEPTH).....:	0.26	6.6
N (FLANGE SHORT SIDE).....:	0.10	2.5

CATALOG NUMBER	COLOR
267459	NATURAL
267460	NATURAL (STERILE)
267461	BLACK
267462	WHITE



SPECS ON BACK

NOT TO SCALE

NOTES:

1. ALL DIMENSIONS ARE NOMINAL AND IN INCHES AND MILLIMETERS UNLESS OTHERWISE NOTED.
2. THIS IS NOT A PRODUCTION DRAWING, BUT IS FOR INFORMATIONAL PURPOSES ONLY, AND IS SUBJECT TO CHANGE WITHOUT NOTICE.

CONFIDENTIAL

THIS PRODUCT SPECIFICATION SHEET CONTAINS CONFIDENTIAL AND/OR PROPRIETARY INFORMATION AND IS TO BE USED ONLY FOR THE EXPRESSED PURPOSES AGREED UPON BY AN AUTHORIZED OFFICER OF THERMO FISHER SCIENTIFIC.

**ThermoFisher**  
SCIENTIFIC

Thermo Fisher Scientific  
75 Panorama Creek Drive  
Rochester, NY 14625-2385, USA

MADE PB	APP'D PVC	PSS 2674XX	REV. 0105
CK'D 1-18-05	1/18/05		

DESCRIPTION:

384, 35µl, PP, WELL PLATE