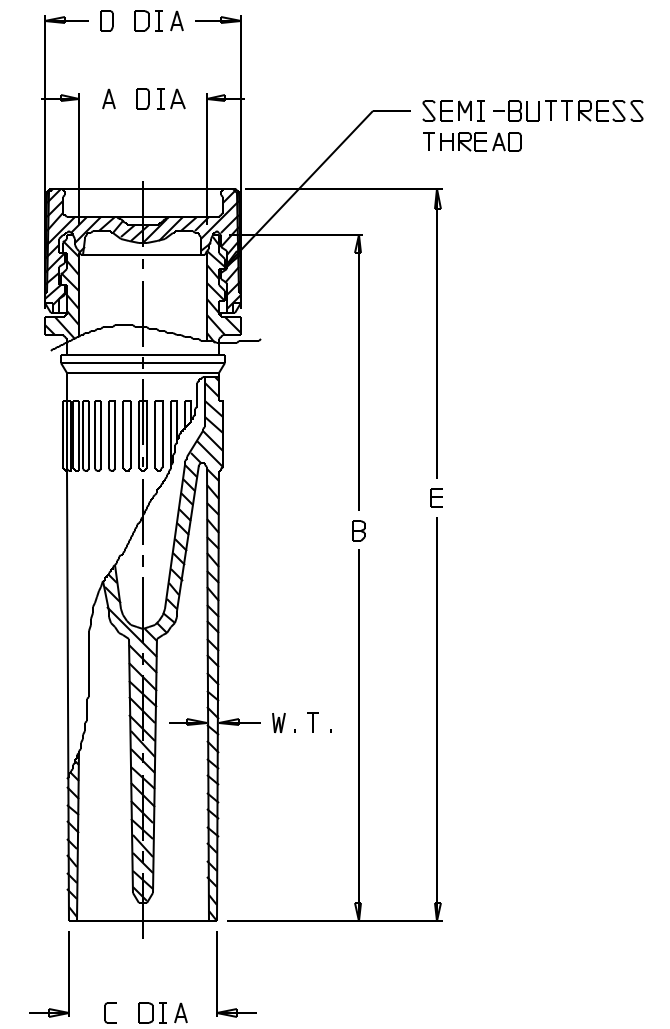


CATALOG NO.	NOMINAL CAPACITY, (mL)	MATERIAL	
		VIAL	CLOSURE
264262	0.5	PPCO	HDPE

SIZE (NOM VOL mL):	0.5	
NOM. BRIM CAP. (mL):	0.9	
NECK FINISH (mm):	11	
THREAD (T.P.I.):	12	
NOM. WEIGHT WITH CLOSURE (gms):	1.6	
DIM. FOR IN./CM:	INCH	MM
A (NECK I.D.):	.330 ± .005	8.4 ± 0.1
B (HT. W/O CLOSURE):	1.80 ± .01	45.7 ± 0.3
C (DIA):	.390 ± .005	9.9 ± 0.1
D (CLOSURE DIA):	.510 ± .005	12.9 ± 0.1
E (HT. W/CLOSURE):	1.93 ± .02	49.0 ± 0.5
W.T.(NOM. WALL THK):	.035	0.88

NOTES:

1. ALL DIMENSIONS ARE NOMINAL AND IN INCHES AND MILLIMETERS UNLESS OTHERWISE NOTED.
2. THIS IS NOT A PRODUCTION DRAWING, BUT IS FOR INFORMATIONAL PURPOSES ONLY, AND IS SUBJECT TO CHANGE WITHOUT NOTICE.



NOT TO SCALE

SPECS ON BACK

NOT TO SCALE

CONFIDENTIAL

THIS PRODUCT SPECIFICATION SHEET CONTAINS CONFIDENTIAL AND/OR PROPRIETARY INFORMATION AND IS TO BE USED ONLY FOR THE EXPRESSED PURPOSES AGREED UPON BY AN AUTHORIZED OFFICER OF THERMO FISHER SCIENTIFIC.

ThermoFisher
SCIENTIFIC

Thermo Fisher Scientific
75 Panorama Creek Drive
Rochester, NY 14625-2385, USA

MADE	PB	APP'D	PVC	PSS 264262	REV.	1202
CK'D	PVC	12/16/02				
DESCRIPTION: GENUNC STORAGE VIAL, 0.5mL						