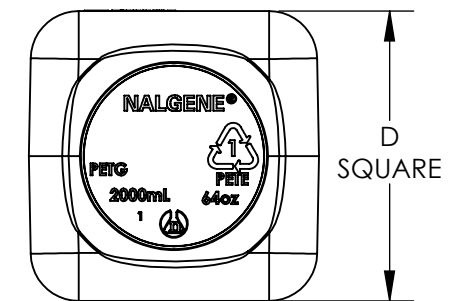
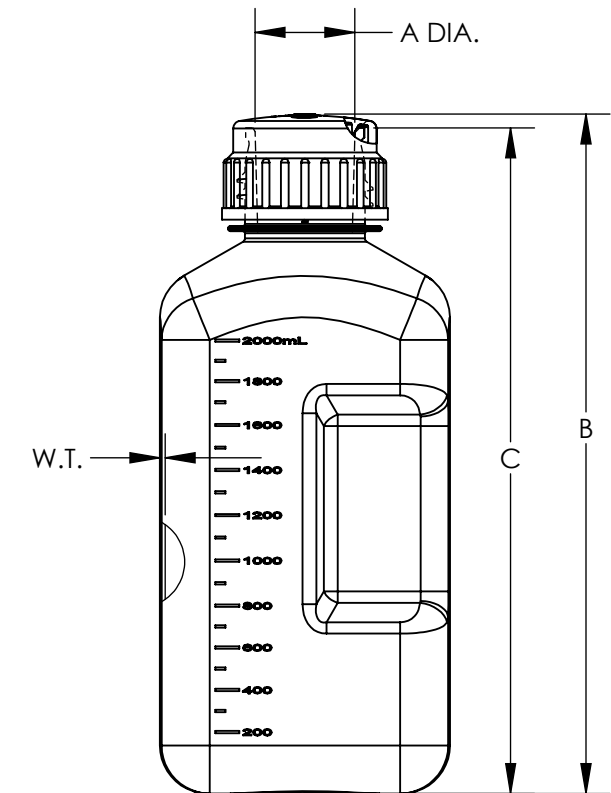
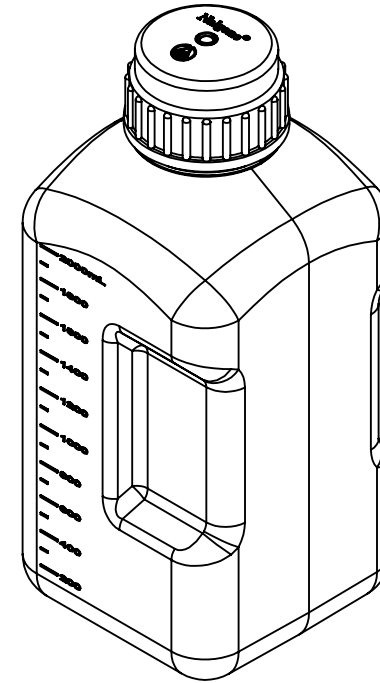


CATALOG NUMBER	NOMINAL CAPACITY (oz)	MATERIALS	
		BOTTLE	CLOSURE
2019	64	PETG	WHITE HDPE

SIZE CODE.....:	-2000	
SIZE (NOM. VOL mL/oz).....:	2000/64	
NOM. BRIM CAP (mL).....:	2380	
NECK FINISH (mm).....:	53B	
THREAD (T.P.I.).....:	4	
NOM. WEIGHT W/CLOSURE (gms).....:	350	
	INCH	MM
A (NECK I.D.).....:	1.53 ±0.03	38.9 ±0.8
B (HT. W/ CLOSURE).....:	10.65 ±.14	270.5 ±3.6
C (HT. W/O CLOSURE).....:	10.42 ±.14	264.7 ±3.6
D (SQUARE).....:	4.55 ±.09	115.6 ±2.3
W.T NOM. WALL THK.....:	0.090	2.3
MIN WALL THICKNESS.....:	.008	.2



SPECS ON BACK

NOT TO SCALE

1. ALL DIMENSIONS ARE NOMINAL AND IN INCHES AND MILLIMETERS UNLESS OTHERWISE NOTED.
2. THIS IS NOT A PRODUCTION DRAWING, BUT IS FOR INFORMATIONAL PURPOSES ONLY, AND IS SUBJECT TO CHANGE WITHOUT NOTICE.

CONFIDENTIAL

THIS PRODUCT SPECIFICATION SHEET CONTAINS CONFIDENTIAL AND/OR PROPRIETARY INFORMATION AND IS TO BE USED ONLY FOR THE EXPRESSED PURPOSES AGREED UPON BY AN AUTHORIZED OFFICER OF THERMO FISHER SCIENTIFIC.

ThermoFisher
SCIENTIFIC

Thermo Fisher Scientific
75 Panorama Creek Drive
Rochester, NY 14625-2385, USA

MADE PMP APP'D 11/10/15
CK'D JC PWC

PSS 2019-2000

REV. 1115

DESCRIPTION:

SQUARE, (NARROW MOUTH) MEDIA
LAB QUALITY BOTTLE