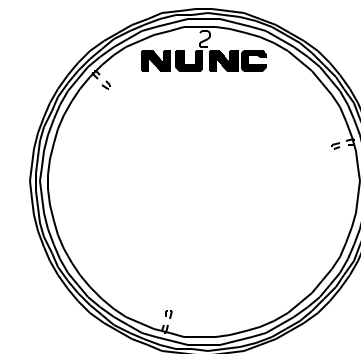
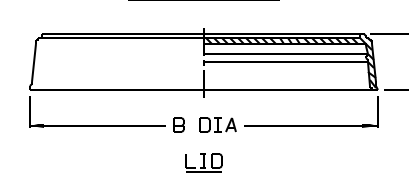


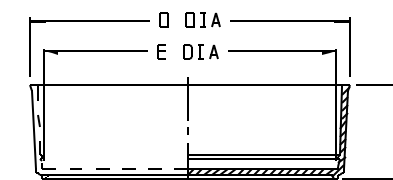
CATALOG NUMBER.....:		174926	
MATERIAL	LID.....:	PS	
	DISH.....:	PS	
		INCH	MM
A (LID HEIGHT).....:	0.26	6.5	
B (LID DIA.).....:	1.60	40.6	
C (DISH HEIGHT).....:	0.44	11.1	
D (DISH O.D.).....:	1.48	37.6	
E (DISH BOTTOM I.D.).....:	1.36	34.5	
F (OVERALL ASSM. HT.)...:	0.49	12.4	
G (GRID SIZE).....:	0.08	2.0	



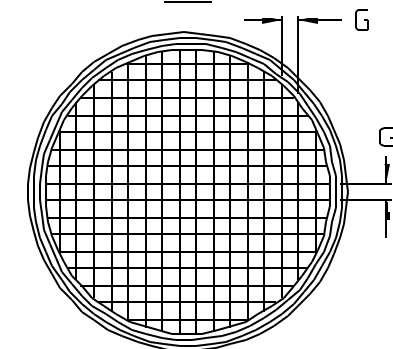
LID TOP VIEW



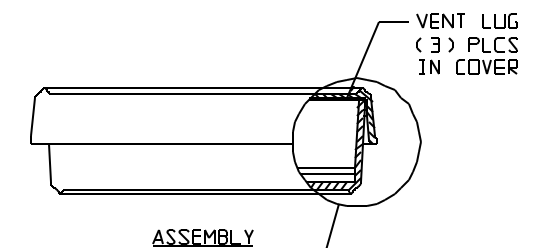
LID



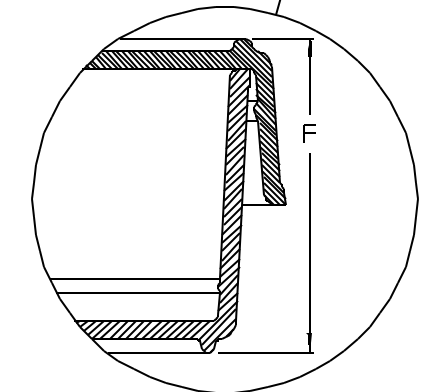
DISH



DISH BOTTOM VIEW
(GRID IS ON OUTSIDE OF BOTTOM SURFACE)



ASSEMBLY



EDGE DETAIL

SPECS ON BACK

NOT TO SCALE

NOTES:

1. ALL DIMENSIONS ARE NOMINAL AND IN INCHES AND MILLIMETERS UNLESS OTHERWISE NOTED.
2. THIS IS NOT A PRODUCTION DRAWING, BUT IS FOR INFORMATIONAL PURPOSES ONLY, AND IS SUBJECT TO CHANGE WITHOUT NOTICE.

CONFIDENTIAL

THIS PRODUCT SPECIFICATION SHEET CONTAINS CONFIDENTIAL AND/OR PROPRIETARY INFORMATION AND IS TO BE USED ONLY FOR THE EXPRESSED PURPOSES AGREED UPON BY AN AUTHORIZED OFFICER OF THERMO FISHER SCIENTIFIC.

ThermoFisher
SCIENTIFIC

Thermo Fisher Scientific
75 Panorama Creek Drive
Rochester, NY 14625-2385, USA

MADE	MC ²	APP'D	PVC	PSS 174926	REV.	1104
CK'D	RDR		11/2/04			

DESCRIPTION:
35 x 10 PETRI DISH