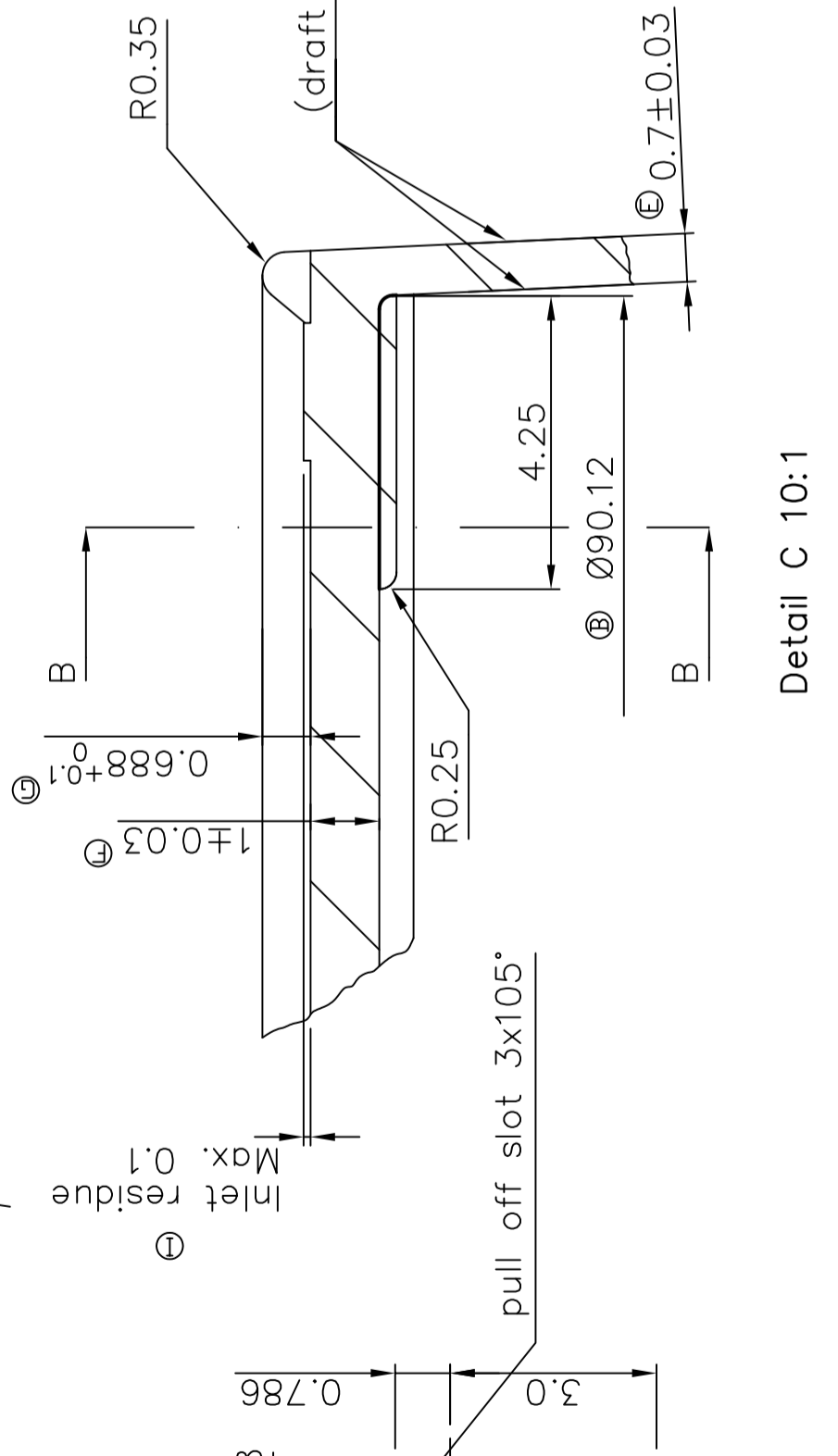
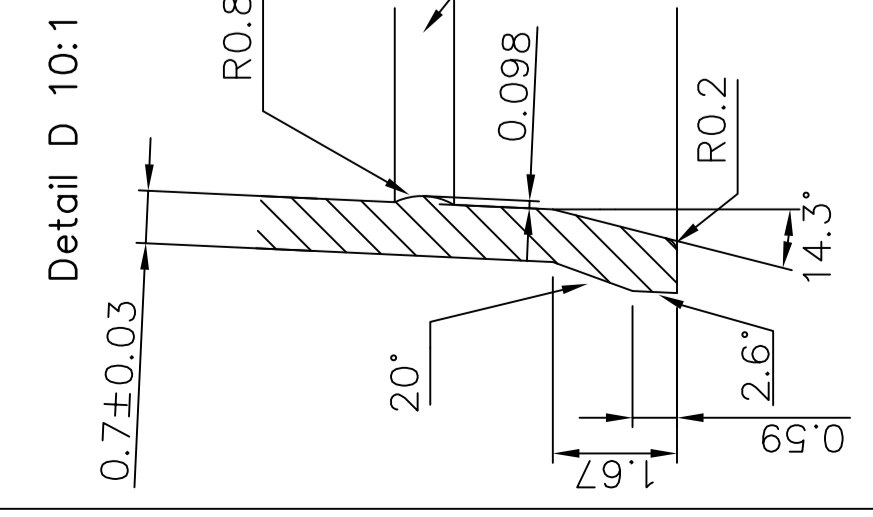
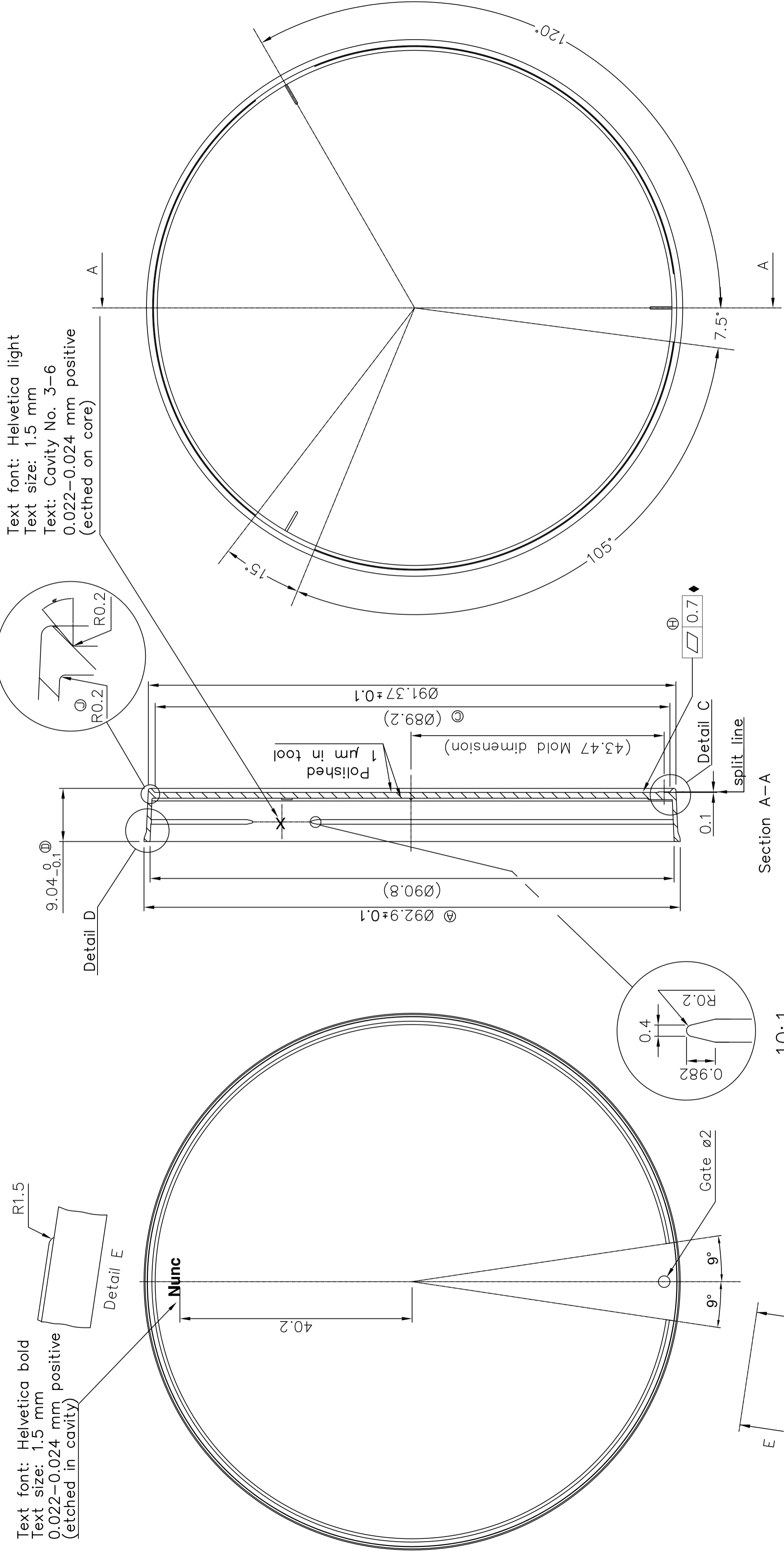


Text font: Helvetica bold
 Text size: 1.5 mm
 0.022-0.024 mm positive
 (etched in cavity)

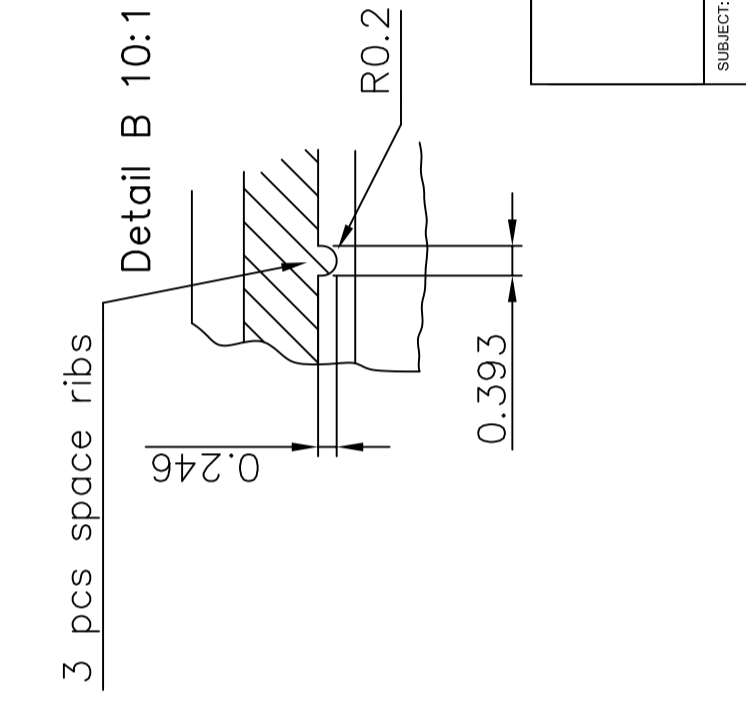
Text font: Helvetica light
 Text size: 1.5 mm
 Text: Cavity No. 3-6
 0.022-0.024 mm positive
 (etched on core)



Section A-A

10:1

Detail C 10:1



Tool surfaces unless otherwise specified: Polished 3 μm
 Tolerances unless otherwise specified:
 Without decimal: ±0.5mm
 1 place decimal: ±0.1mm
 2 place decimal: ±0.05mm
 No sharp edges unless specified.

Roskilde Site · Kamstrupvej 90 · P.O.Box 280
 DK-4000 Roskilde · Denmark
 Tel +45 4631 2000 · Fax +45 4631 2042
 E-mail: info.nunc@thermofisher.com

www.nuncbrand.com

SUBJECT: Lid to 9 cm petri dish high and low model.		DRAWN BY/DATE: PS/10.10.97		CHANGE ORDER NO.: CO-1181		VALID FROM: 2008.10.20		APPROVED BY/DATE: JR 2008.09.23		FORMAT: A2	
ITEM NUMBER: .		MATERIAL: PS		DRAWING NO.: 2968		VERSION: 10		PAGE TYPE: -C		METRIC SCALE: 2:1 (10:1)	