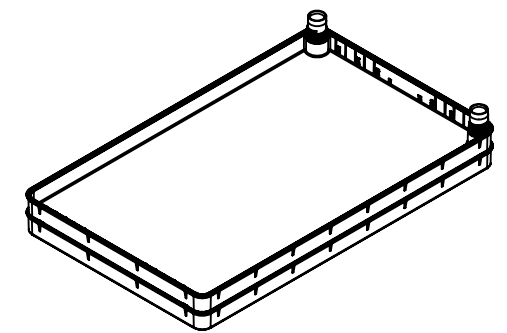
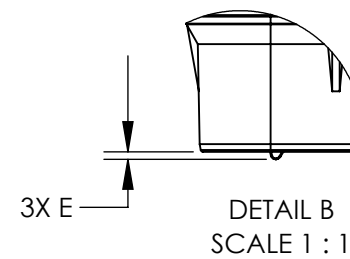
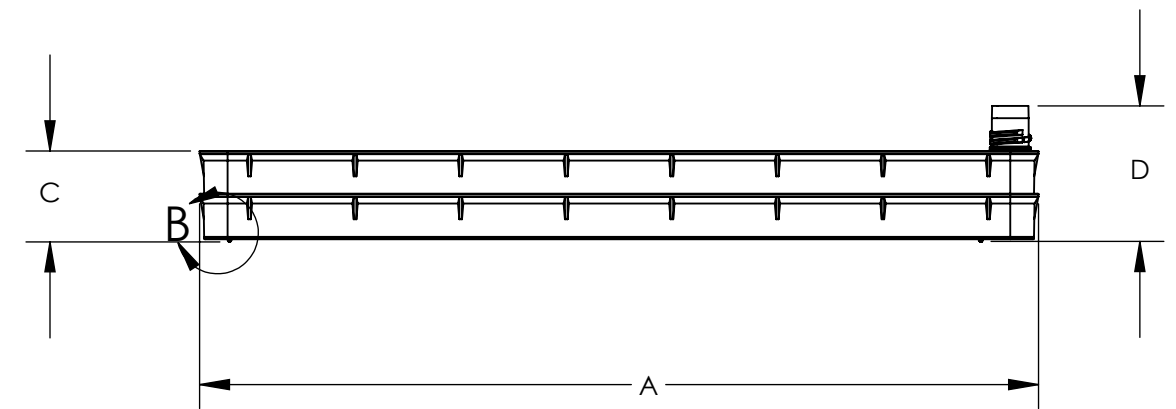


NUMBER OF LAYERS	1	
NUMBER OF TRAYS	2	
MATERIAL	PS	
	INCH	MM (REF)
A (LENGTH)	13.11	333
B (WIDTH)	8.03	204
C (OVERALL TRAY HEIGHT)	1.42	36.1
D (OVERALL HEIGHT)	2.12	53.8
E (FEET HEIGHT)	.039	1.0



SPECS ON BACK

NOT TO SCALE

1. ALL DIMENSIONS ARE NOMINAL AND IN INCHES AND MILLIMETERS UNLESS OTHERWISE NOTED.
2. THIS IS NOT A PRODUCTION DRAWING, BUT IS FOR INFORMATIONAL PURPOSES ONLY, AND IS SUBJECT TO CHANGE WITHOUT NOTICE.

**CONFIDENTIAL**

THIS PRODUCT SPECIFICATION SHEET CONTAINS CONFIDENTIAL AND/OR PROPRIETARY INFORMATION AND IS TO BE USED ONLY FOR THE EXPRESSED PURPOSES AGREED UPON BY AN AUTHORIZED OFFICER OF THERMO FISHER SCIENTIFIC.

**ThermoFisher**  
SCIENTIFIC

Thermo Fisher Scientific  
75 Panorama Creek Drive  
Rochester, NY 14625-2385, USA

MADE	PMP	APP'D	6/6/2016	PSS 165250	REV.	0516
CK'D	JC	PWC				
DESCRIPTION: CELL FACTORY 1 LAYER						