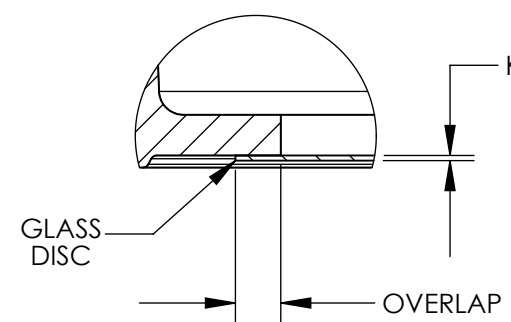
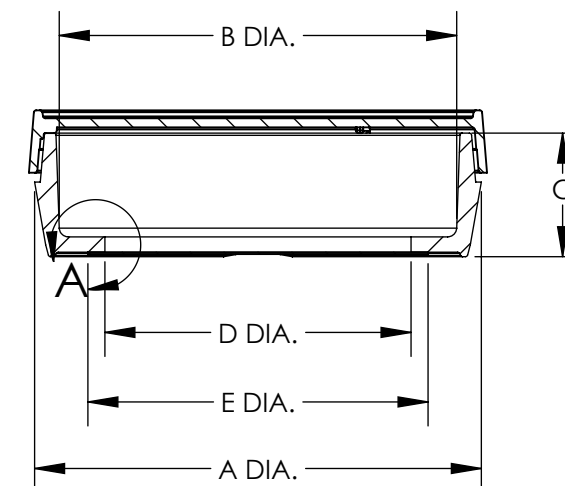
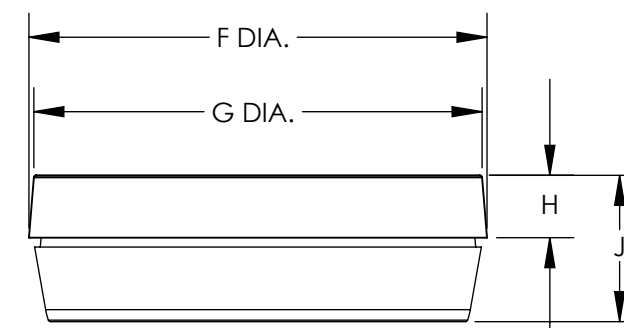
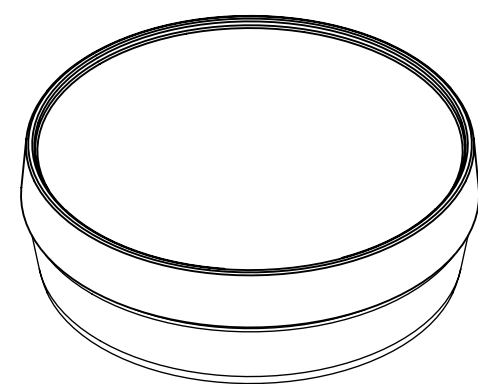


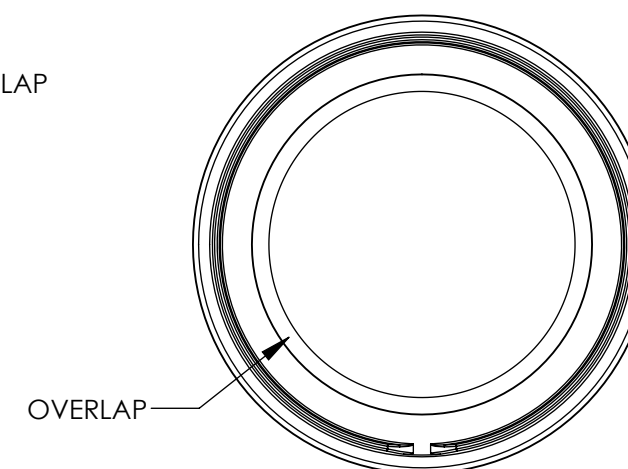
CATALOG NUMBER	MATERIALS		
	DISH	LID	GLASS BOTTOM
150680	PS	PS	BOROSILICATE GLASS
150682	PS	PS	BOROSILICATE GLASS

SIZE CODE.....:	150680		150682	
	INCH	MM	INCH	MM
A (DIA.).....:	1.551	39.4	1.551	39.4
B (DIA.).....:	1.380	35.0	1.380	35.0
C (DISH HT.).....:	0.429	10.9	0.429	10.9
D (DIA. IN DISH).....:	1.181	12.0	1.063	27.0
E (GLASS DIA.).....:	0.591	15.0	0.472	30.0
F (LID DIA.).....:	1.591	40.4	1.591	40.4
G (DIA.).....:	1.556	39.5	1.556	39.5
H (LID HT.).....:	0.217	5.5	0.217	5.5
J (O.A.H.).....:	0.508	12.9	0.508	12.9
K (GLASS THICKNESS):.	0.0055	0.14	0.0055	0.14

1. ALL DIMENSIONS ARE NOMINAL AND IN INCHES AND MILLIMETERS UNLESS OTHERWISE NOTED.
2. THIS IS NOT A PRODUCTION DRAWING, BUT IS FOR INFORMATIONAL PURPOSES ONLY, AND IS SUBJECT TO CHANGE WITHOUT NOTICE.



DETAIL A  
SCALE 4 : 1



SPECS ON BACK

NOT TO SCALE

**CONFIDENTIAL**

THIS PRODUCT SPECIFICATION SHEET CONTAINS CONFIDENTIAL AND/OR PROPRIETARY INFORMATION AND IS TO BE USED ONLY FOR THE EXPRESSED PURPOSES AGREED UPON BY AN AUTHORIZED OFFICER OF THERMO FISHER SCIENTIFIC.

**ThermoFisher**  
SCIENTIFIC

Thermo Fisher Scientific  
75 Panorama Creek Drive  
Rochester, NY 14625-2385, USA

MADE	PB	APP'D	GRP	PSS 15068X	REV. 0513
CK'D	TAL	5/10/13			
DESCRIPTION:				GLASS BASED DISH	