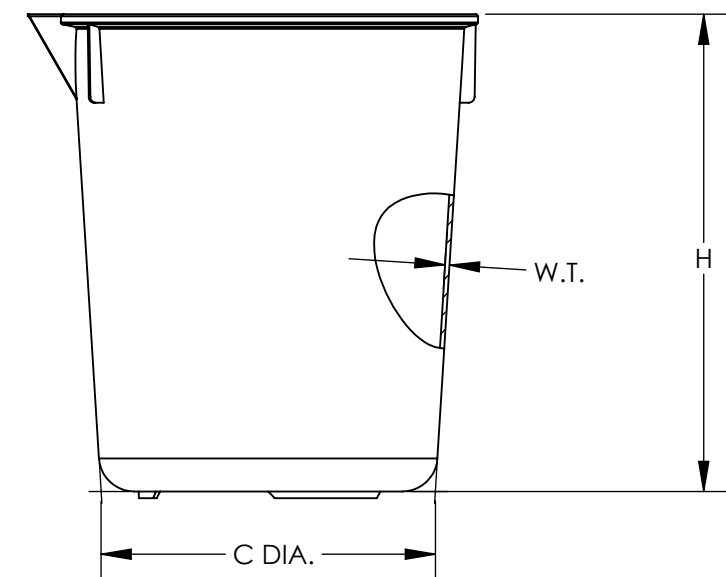
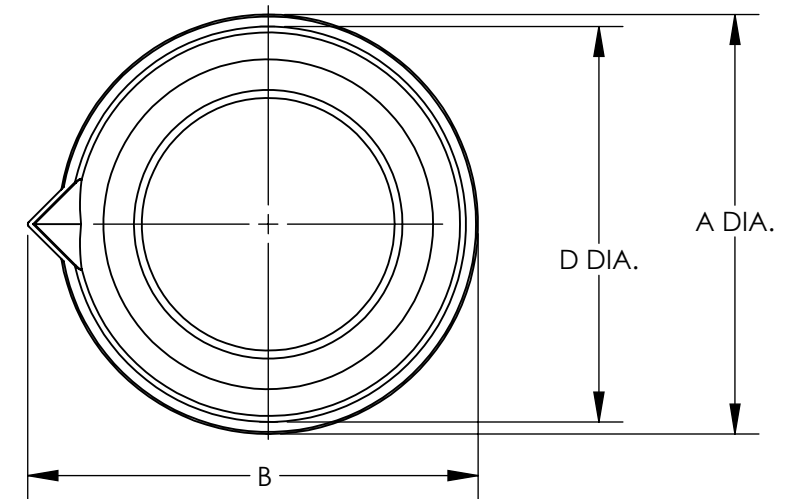


|                       |           |       |
|-----------------------|-----------|-------|
| CATALOG NUMBER        | 1205-0600 |       |
| MATERIAL              | PP        |       |
| NOM. CAP. (mL)        | 600       |       |
| SIZE (NOM VOL mL)     | 600       |       |
| NOM. BRIM CAP (mL)    | 880       |       |
| NOM. WEIGHT (GM)      | 52        |       |
|                       | INCH      | (MM)  |
| A (LIP DIA.)          | 4.40±.05  | 111.8 |
| B (DIM.)              | 4.75±.05  | 120.7 |
| C (BOTTOM DIA.)       | 3.55±.05  | 90.2  |
| D (INSIDE DIA.)       | 4.02±.05  | 102.1 |
| H (HEIGHT)            | 5.04±.05  | 128.0 |
| W. T. (NOM. WALL THK) | .050      | 1.27  |



SPECS ON BACK

NOT TO SCALE

**CONFIDENTIAL**

THIS PRODUCT SPECIFICATION SHEET CONTAINS CONFIDENTIAL AND/OR PROPRIETARY INFORMATION AND IS TO BE USED ONLY FOR THE EXPRESSED PURPOSES AGREED UPON BY AN AUTHORIZED OFFICER OF THERMO FISHER SCIENTIFIC.

**ThermoFisher**  
SCIENTIFIC

Thermo Fisher Scientific  
75 Panorama Creek Drive  
Rochester, NY 14625-2385, USA

|  |     |         |     |               |              |
|--|-----|---------|-----|---------------|--------------|
| MADE   | EJL | APP'D   | MJR | PSS 1205-0600 | REV.<br>0518 |
| CK'D   | MJR | 6/19/18 |     |               |              |
| DESCRIPTION: NALGENE ECONOMY BEAKER PPCO 600ML |     |         |     |               |              |

1. ALL DIMENSIONS ARE NOMINAL AND IN INCHES AND MILLIMETERS UNLESS OTHERWISE NOTED.
2. THIS IS NOT A PRODUCTION DRAWING, BUT IS FOR INFORMATIONAL PURPOSES ONLY, AND IS SUBJECT TO CHANGE WITHOUT NOTICE.