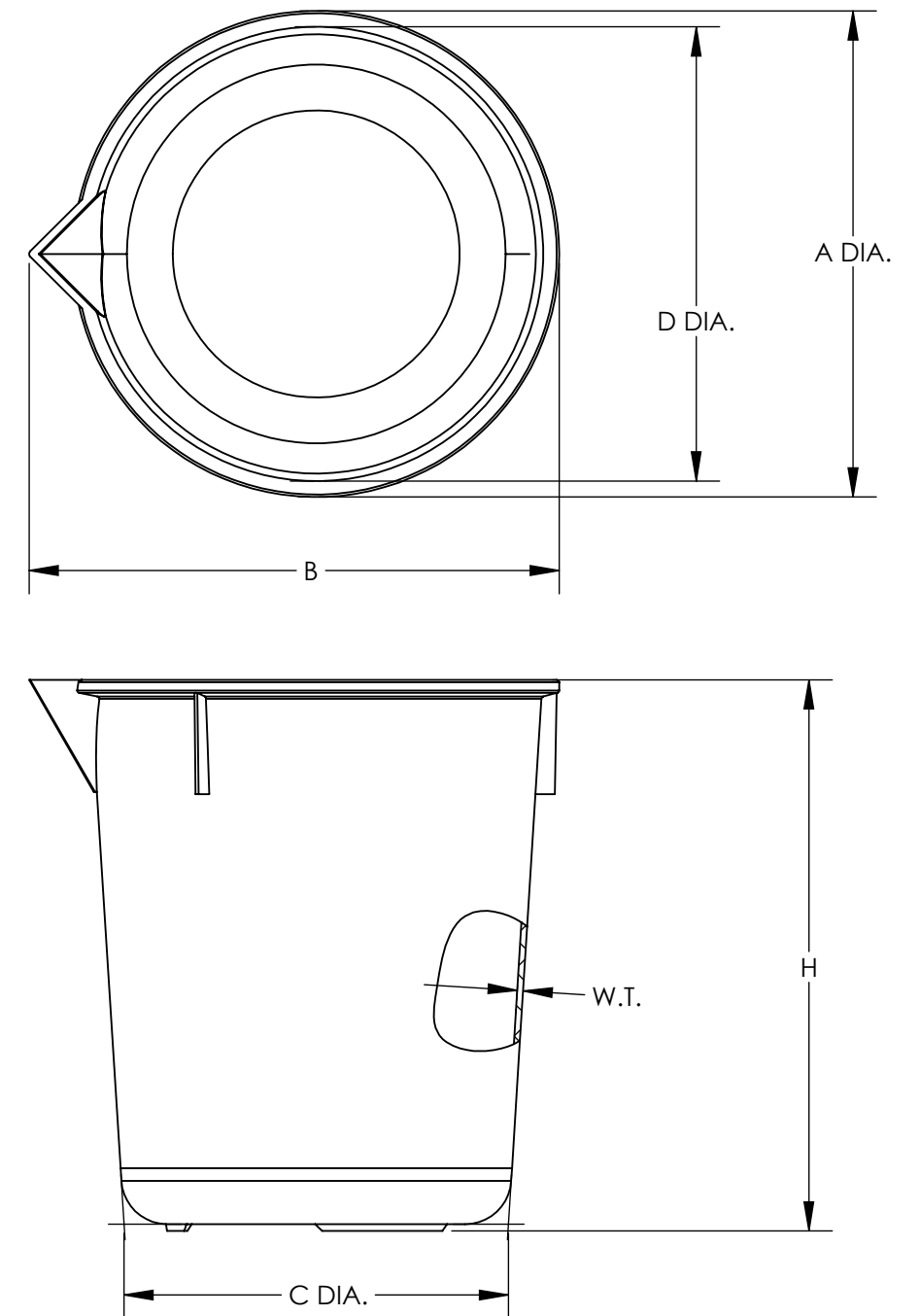


CATALOG NUMBER	1205-0400	
MATERIAL	PP	
NOM. CAP. (mL)	400	
SIZE (NOM VOL mL)	400	
NOM. BRIM CAP (mL)	593	
NOM. WEIGHT (GM)	40	
	INCH	(MM)
A (LIP DIA.)	3.90±.05	99.0
B (DIM.)	4.20±.05	105.4
C (BOTTOM DIA.)	3.15±.05	80.0
D (INSIDE DIA.)	3.54±.05	89.9
H (HEIGHT)	4.43±.05	112.5
W. T. (NOM. WALL THK)	.075	1.91



SPECS ON BACK

NOT TO SCALE

1. ALL DIMENSIONS ARE NOMINAL AND IN INCHES AND MILLIMETERS UNLESS OTHERWISE NOTED.
2. THIS IS NOT A PRODUCTION DRAWING, BUT IS FOR INFORMATIONAL PURPOSES ONLY, AND IS SUBJECT TO CHANGE WITHOUT NOTICE.

**CONFIDENTIAL**

THIS PRODUCT SPECIFICATION SHEET CONTAINS CONFIDENTIAL AND/OR PROPRIETARY INFORMATION AND IS TO BE USED ONLY FOR THE EXPRESSED PURPOSES AGREED UPON BY AN AUTHORIZED OFFICER OF THERMO FISHER SCIENTIFIC.

**ThermoFisher**  
SCIENTIFIC

Thermo Fisher Scientific  
75 Panorama Creek Drive  
Rochester, NY 14625-2385, USA

MADE	EJL	APP'D	MJR	PSS 1205-0400	REV. 0518
CK'D	MJR	6/19/18			
DESCRIPTION: NALGENE ECONOMY BEAKER PPCO 400ML					