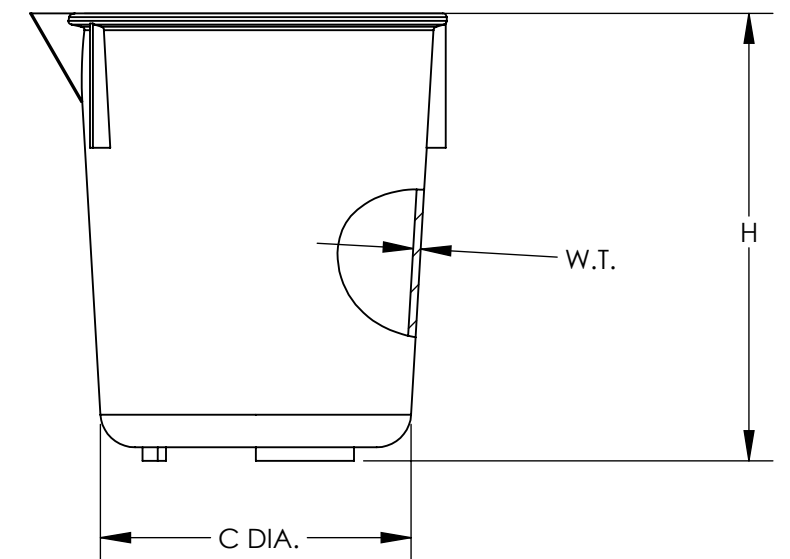
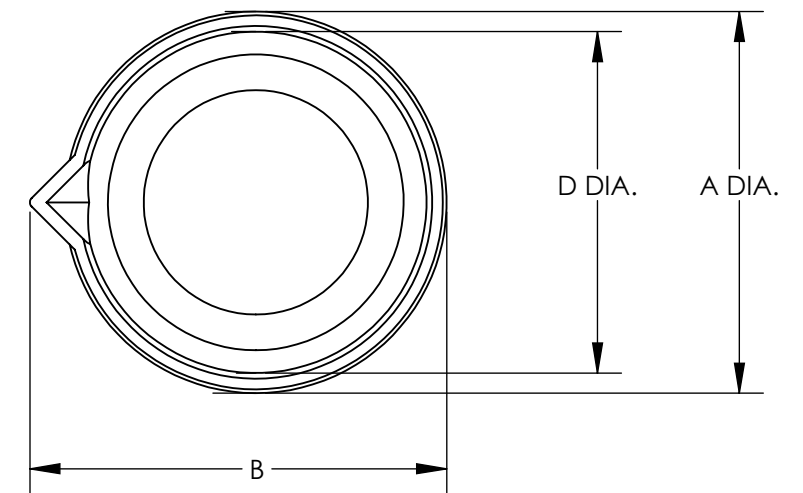


CATALOG NUMBER	1205-0050	
MATERIAL	PP	
NOM. CAP. (mL)	50	
SIZE (NOM VOL mL)	50	
NOM. BRIM CAP (mL)	76	
NOM. WEIGHT (GM)	9	
	INCH	(MM)
A (LIP DIA.)	2.00±.05	50.8
B (DIM.)	2.19±.05	55.6
C (BOTTOM DIA.)	1.62±.05	41.1
D (INSIDE DIA.)	1.80±.05	45.7
H (HEIGHT)	2.33±.05	59.2
W. T. (NOM. WALL THK)	.040	1.02



SPECS ON BACK

NOT TO SCALE

**CONFIDENTIAL**

THIS PRODUCT SPECIFICATION SHEET CONTAINS CONFIDENTIAL AND/OR PROPRIETARY INFORMATION AND IS TO BE USED ONLY FOR THE EXPRESSED PURPOSES AGREED UPON BY AN AUTHORIZED OFFICER OF THERMO FISHER SCIENTIFIC.

**ThermoFisher**  
SCIENTIFIC

Thermo Fisher Scientific  
75 Panorama Creek Drive  
Rochester, NY 14625-2385, USA

MADE	EJL	APP'D	MJR	PSS 1205-0050	REV. 0518
CK'D	MJR	6/19/18			
DESCRIPTION: NALGENE ECONOMY BEAKER PPCO 50ML					

1. ALL DIMENSIONS ARE NOMINAL AND IN INCHES AND MILLIMETERS UNLESS OTHERWISE NOTED.
2. THIS IS NOT A PRODUCTION DRAWING, BUT IS FOR INFORMATIONAL PURPOSES ONLY, AND IS SUBJECT TO CHANGE WITHOUT NOTICE.