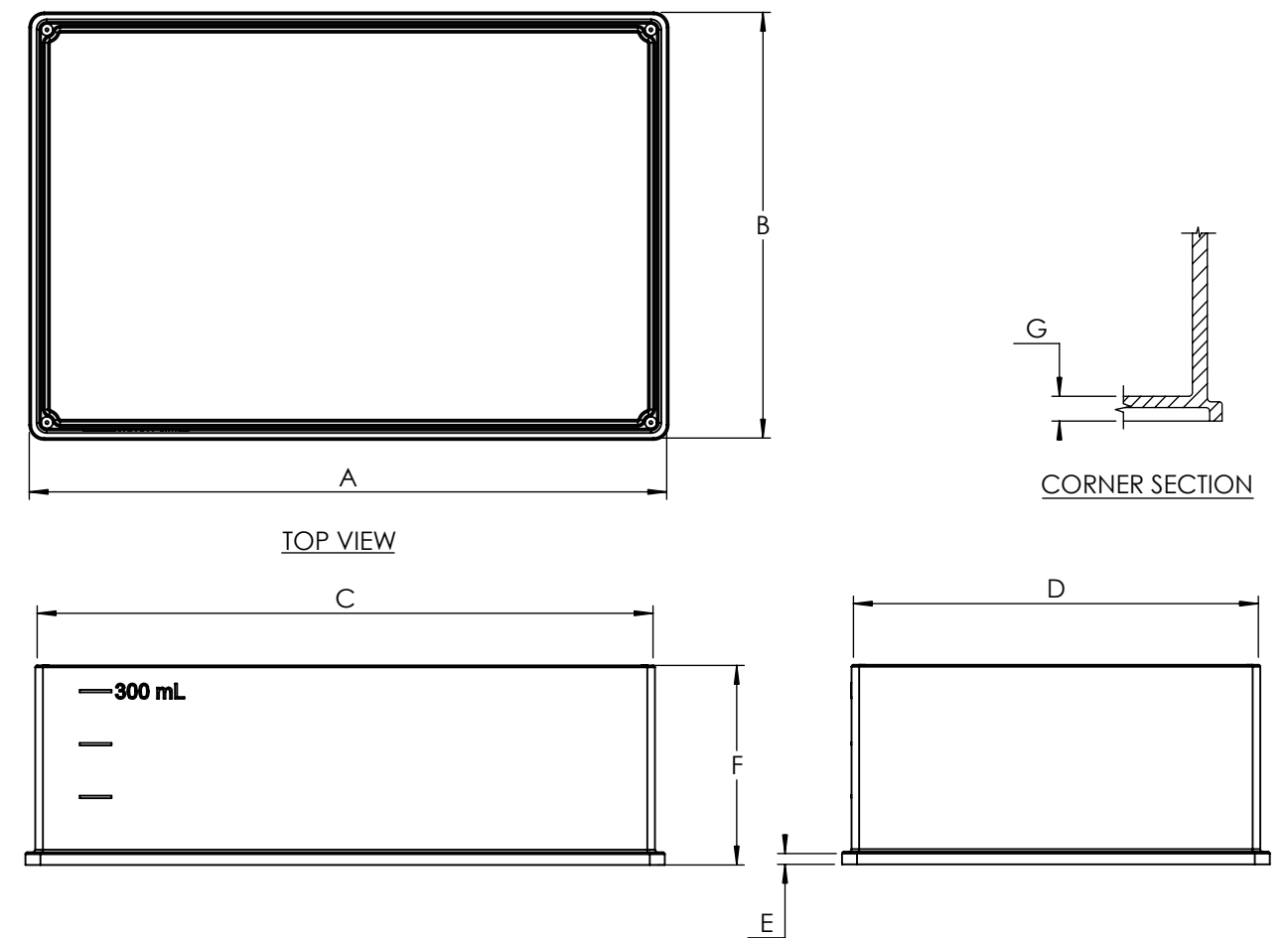
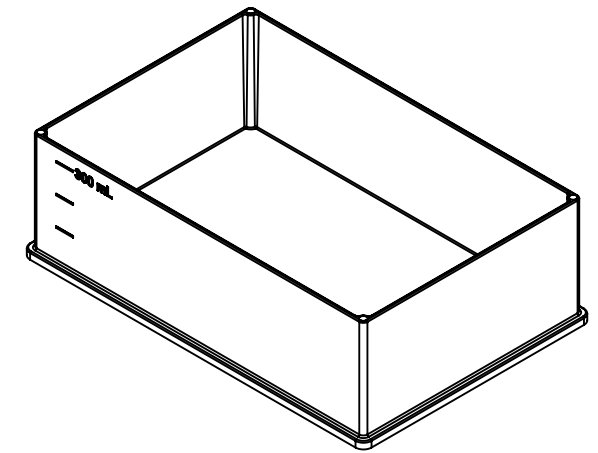


CATALOG NUMBER	DESCRIPTION
1200-1300	FLAT BOTTOM, PP, NON-STERILE
1200-1301	FLAT BOTTOM, PP, STERILE

CATALOG NUMBER.....:	SEE ABOVE	
NOM. CAP (mL).....:	300	
	INCH	MM
A (BASE LENGTH).....:	5.030	127.8
B (BASE WIDTH).....:	3.365	85.5
C (TOP LENGTH).....:	4.88	123.8
D (TOP WIDTH).....:	3.22	87.1
E (STEP HEIGHT).....:	.10	2.5
F (OVERALL HEIGHT).....:	1.57	39.9
G (DISTANCE FROM BOTTOM).....:	.13	3.3

1. ALL DIMENSIONS ARE NOMINAL AND IN INCHES AND MILLIMETERS UNLESS OTHERWISE NOTED.
2. THIS IS NOT A PRODUCTION DRAWING, BUT IS FOR INFORMATIONAL PURPOSES ONLY, AND IS SUBJECT TO CHANGE WITHOUT NOTICE.



SPECS ON BACK

NOT TO SCALE

CONFIDENTIAL

THIS PRODUCT SPECIFICATION SHEET CONTAINS CONFIDENTIAL AND/OR PROPRIETARY INFORMATION AND IS TO BE USED ONLY FOR THE EXPRESSED PURPOSES AGREED UPON BY AN AUTHORIZED OFFICER OF THERMO FISHER SCIENTIFIC.

ThermoFisher
SCIENTIFIC

Thermo Fisher Scientific
75 Panorama Creek Drive
Rochester, NY 14625-2385, USA

MADE	MCC	APP'D	PVC		REV.	0405
CK'D	RDR 4/5/05	4/5/05		PSS 120013XX		

DESCRIPTION: ROBOTIC RESERVOIR, PP, FLAT BOTTOM