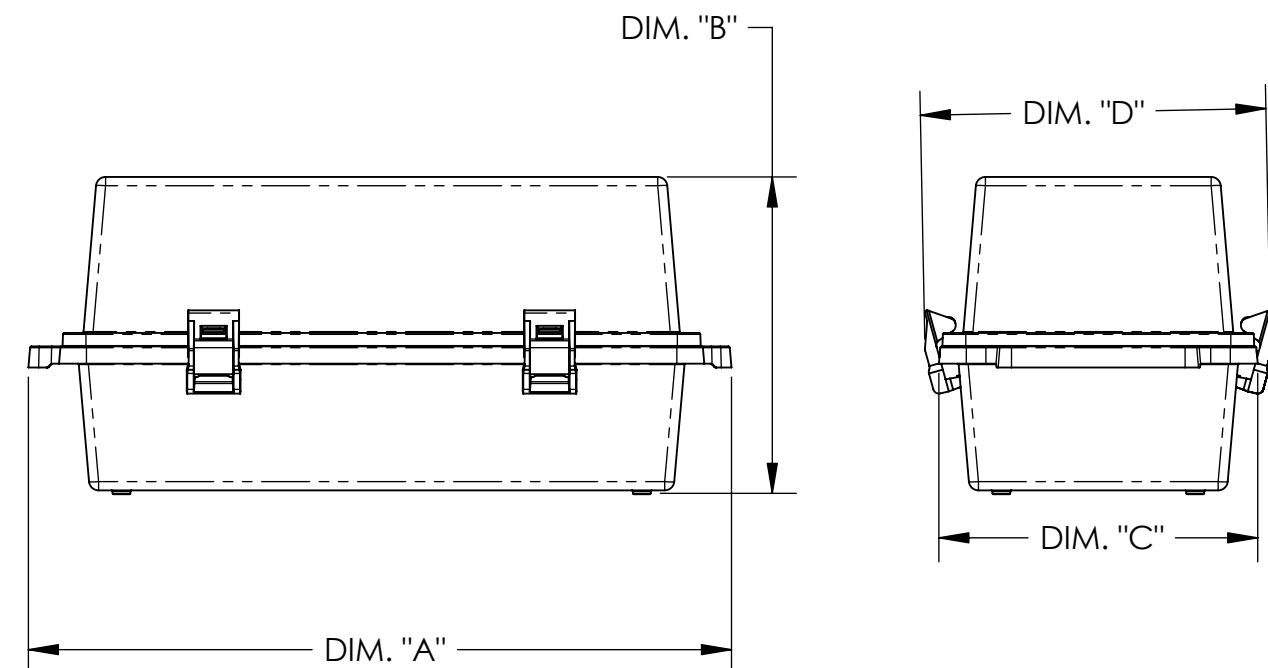


PART	MATERIAL
BASE	CLEAR PC
COVER	CLEAR PC
LATCH ASSEMBLY	NATURAL PC
GASKET	RED SILICONE

	INCH	MM
"A" DIM.....:	14.6	370
"B" DIM.....:	6.8	173
"C" DIM.....:	6.6	168
"D" DIM.....:	7.3	185



SPECS ON BACK

NOT TO SCALE

1. ALL DIMENSIONS ARE NOMINAL AND IN INCHES AND MILLIMETERS UNLESS OTHERWISE NOTED.
2. THIS IS NOT A PRODUCTION DRAWING, BUT IS FOR INFORMATIONAL PURPOSES ONLY, AND IS SUBJECT TO CHANGE WITHOUT NOTICE.

**CONFIDENTIAL**

THIS PRODUCT SPECIFICATION SHEET CONTAINS CONFIDENTIAL AND/OR PROPRIETARY INFORMATION AND IS TO BE USED ONLY FOR THE EXPRESSED PURPOSES AGREED UPON BY AN AUTHORIZED OFFICER OF THERMO FISHER SCIENTIFIC.

**ThermoFisher**  
SCIENTIFIC

Thermo Fisher Scientific  
75 Panorama Creek Drive  
Rochester, NY 14625-2385, USA

MADE	JDD	APP'D	PVC	PSS 007135-0001	REV. 0806
CK'D	PVC		7/31/06		
DESCRIPTION:				BIO SAFE CARRIER	