

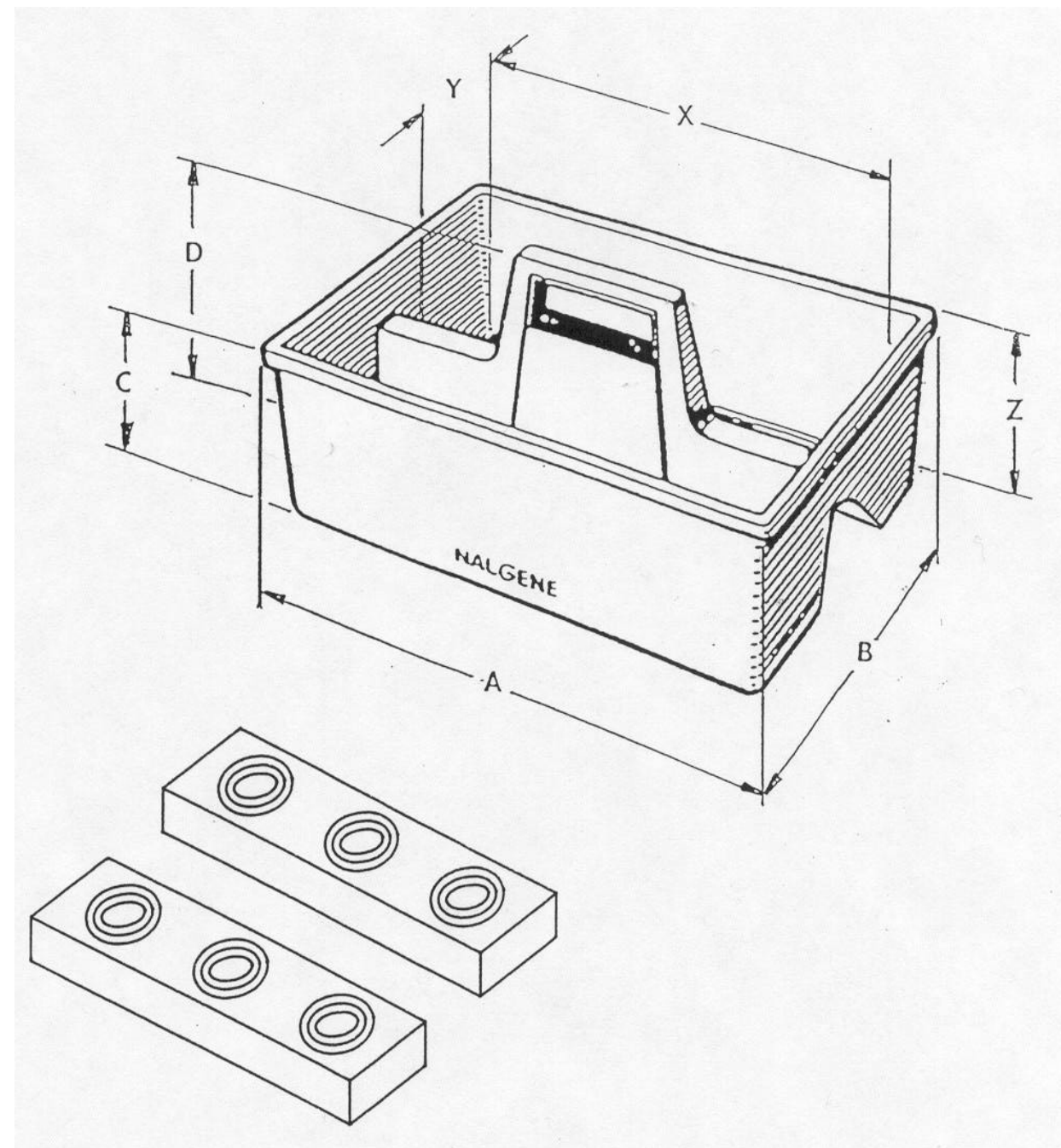
CATALOG NO.	NOMINAL SIZE (mm)	MATERIALS	
		TRAY	INSERT
007131	381 x 356 x 267	WHITE HDPE	PE FOAM*

\* INCLUDES TWO FOAM INSERTS WITH SIX HOLES CONSISTING OF REMOVABLE CIRCULAR SLEEVES. SLEEVES CAN ACCOMMODATE UP TO SIX BOTTLES WITH 2 3/8" (60mm), 3 1/2" (89mm), AND 4 1/4" (108mm) DIAMETERS.

SIZE CODE.....:	-0001	
NOMINAL WEIGHT W/FOAM INSERTS.(gms):	980	
	INCH	MM
A (OVERALL).....:	14.9	378
B (OVERALL).....:	13.8	350
C (OVERALL).....:	4.5	114
D (TOP OF HANDLE)....:	10.3	262
X (COMPARTMENT BASE):	13.7	348
Y (COMPARTMENT BASE):	5.0	127
Z (COMPARTMENT HT.)..:	4.4	111

NOTES:

1. ALL DIMENSIONS ARE NOMINAL AND IN INCHES AND MILLIMETERS UNLESS OTHERWISE NOTED.
2. THIS IS NOT A PRODUCTION DRAWING, BUT IS FOR INFORMATIONAL PURPOSES ONLY, AND IS SUBJECT TO CHANGE WITHOUT NOTICE.



SPECS ON BACK

NOT TO SCALE

CONFIDENTIAL

THIS PRODUCT SPECIFICATION SHEET CONTAINS CONFIDENTIAL AND/OR PROPRIETARY INFORMATION AND IS TO BE USED ONLY FOR THE EXPRESSED PURPOSES AGREED UPON BY AN AUTHORIZED OFFICER OF THERMO FISHER SCIENTIFIC.

**ThermoFisher**  
SCIENTIFIC

Thermo Fisher Scientific  
75 Panorama Creek Drive  
Rochester, NY 14625-2385, USA

MADE	JGJ	APP'D	PVC	PSS 00-7131-0001	REV.
CHK'D	PVC		6/19/95		0695

DESCRIPTION:

LABORATORY CARRIER