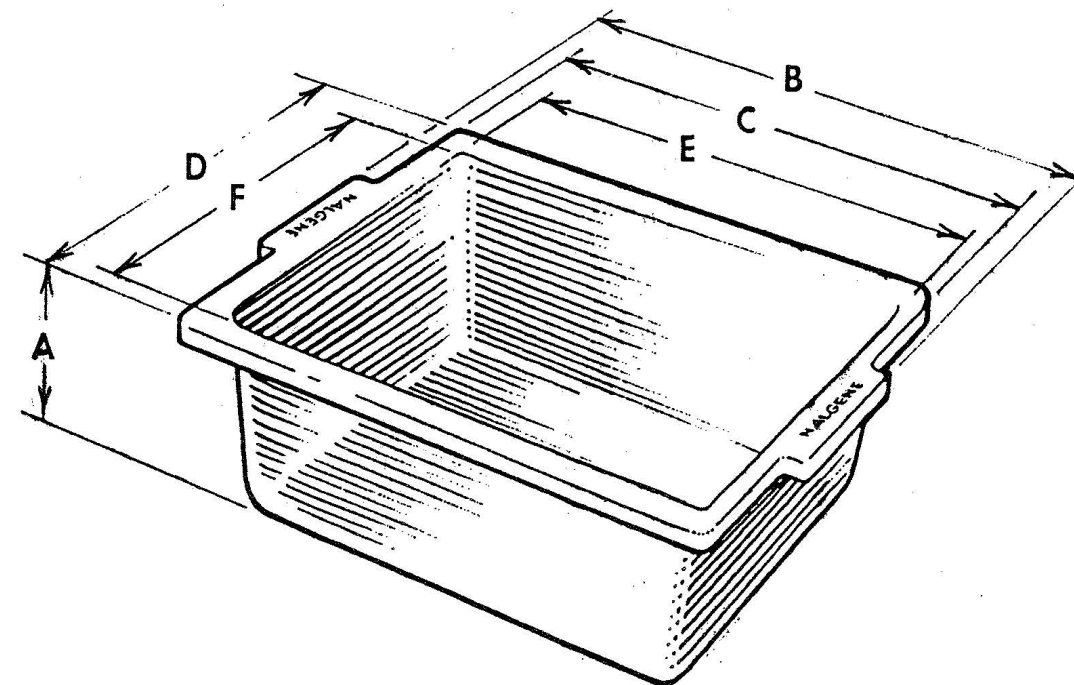


CATALOG NUMBER.....:	7120-0010		7120-0020	
MATERIAL.....:	HDPE		HDPE	
NOM. WEIGHT (gms).....:	570		1110	
	INCH	MM	INCH	MM
A (HEIGHT).....:	5.69	144.5	5.13	130.3
B (LENGTH AT HANDLES.....):	14.0	356	21.3	541
C (LENGTH W/O HANDLES)....:	13.5	343	20.5	521
D (OUTSIDE WIDTH).....:	12.3	312	17.1	434
E (INSIDE LENGTH AT RIM)..:	11.6	295	18.3	465
F (INSIDE WIDTH AT RIM)...:	10.5	267	15.0	381

-CONFIDENTIAL-  
DO NOT DUPLICATE

NOTES:

1. ALL DIMENSIONS ARE NOMINAL AND IN INCHES AND MILLIMETERS UNLESS OTHERWISE NOTED.
2. THIS IS NOT A PRODUCTION DRAWING, BUT IS FOR INFORMATIONAL PURPOSES ONLY, AND IS SUBJECT TO CHANGE WITHOUT NOTICE.



NOT TO SCALE

SPECS ON BACK

NOT TO SCALE

CONFIDENTIAL

THIS PRODUCT SPECIFICATION SHEET CONTAINS CONFIDENTIAL AND/OR PROPRIETARY INFORMATION AND IS TO BE USED ONLY FOR THE EXPRESSED PURPOSES AGREED UPON BY AN AUTHORIZED OFFICER OF THERMO FISHER SCIENTIFIC.

**ThermoFisher**  
SCIENTIFIC

Thermo Fisher Scientific  
75 Panorama Creek Drive  
Rochester, NY 14625-2385, USA

MADE	MCC	APP'D	PVC	PSS 00-7120-00XX	REV.	0595
CK'D	PVC		5/8/95			

DESCRIPTION:

PANS