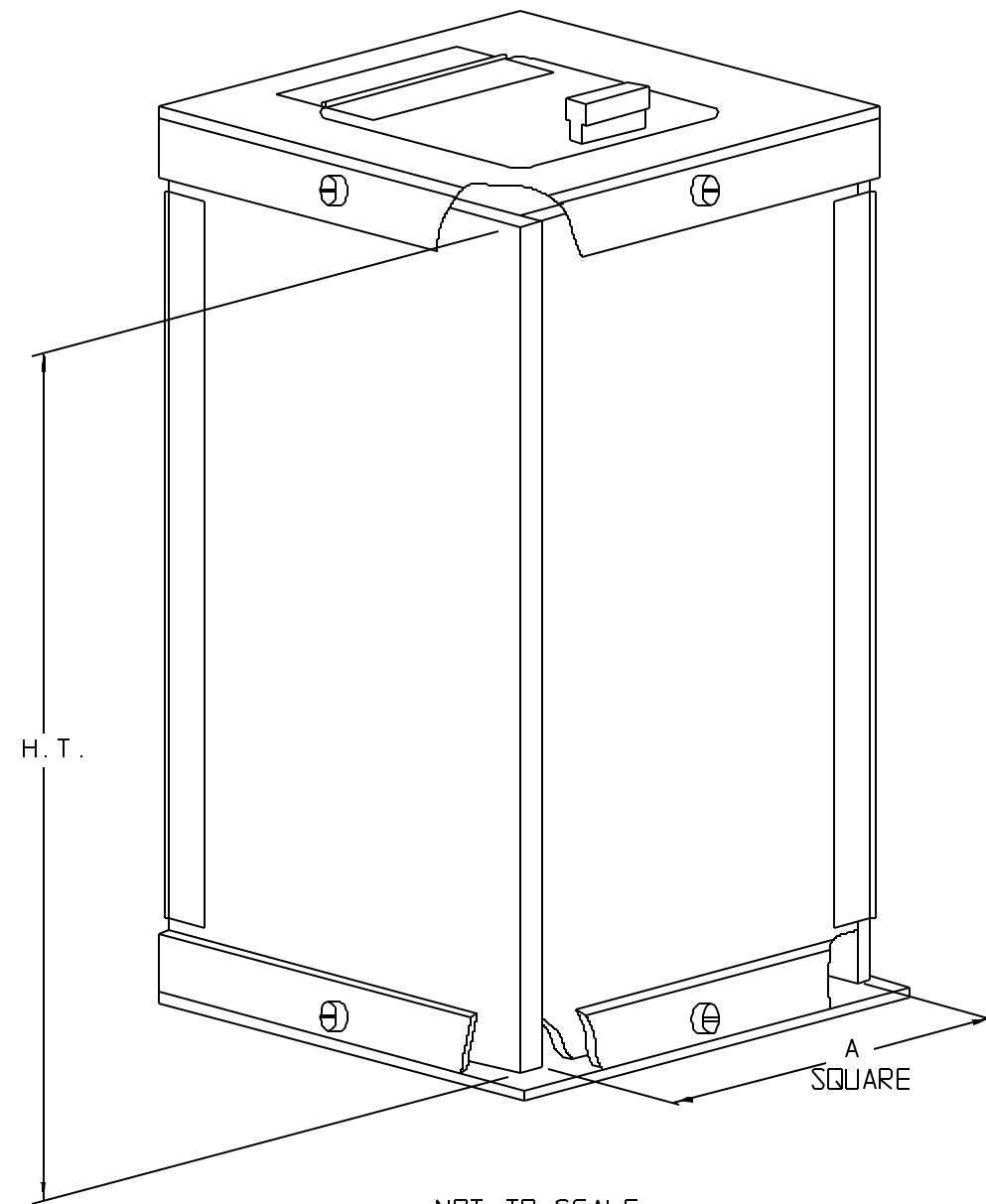


CATALOG NO.....:	6745-9024	
MATERIAL.....:	ACRYLIC	
SIZE (NOM VOL L)....:	20	
NOM. WT. (lb).....:	45	
	INCH	MM
A (INSIDE DIM.)....:	15.9	404
H.T.(INSIDE DIM.)...:	29.0	736
W.T.(NOM. WALL THK):	0.38	9.7

DO NOT DUPLICATE
-CONFIDENTIAL-

NOTES:

1. ALL DIMENSIONS ARE NOMINAL AND IN INCHES AND MILLIMETERS UNLESS OTHERWISE NOTED.
2. THIS IS NOT A PRODUCTION DRAWING, BUT IS FOR INFORMATIONAL PURPOSES ONLY, AND IS SUBJECT TO CHANGE WITHOUT NOTICE.



SPECS ON BACK

NOT TO SCALE

NOT TO SCALE

CONFIDENTIAL

THIS PRODUCT SPECIFICATION SHEET CONTAINS CONFIDENTIAL AND/OR PROPRIETARY INFORMATION AND IS TO BE USED ONLY FOR THE EXPRESSED PURPOSES AGREED UPON BY AN AUTHORIZED OFFICER OF THERMO FISHER SCIENTIFIC.

ThermoFisher
SCIENTIFIC

Thermo Fisher Scientific
75 Ponorama Creek Drive
Rochester, NY 14625-2385, USA

MADE	NS	APP'D	PVC	PSS 00-6745-9024	REV.	—
CHK'D	PVC		12/22/92			

DESCRIPTION:
LARGE BETA WASTE SHIELD