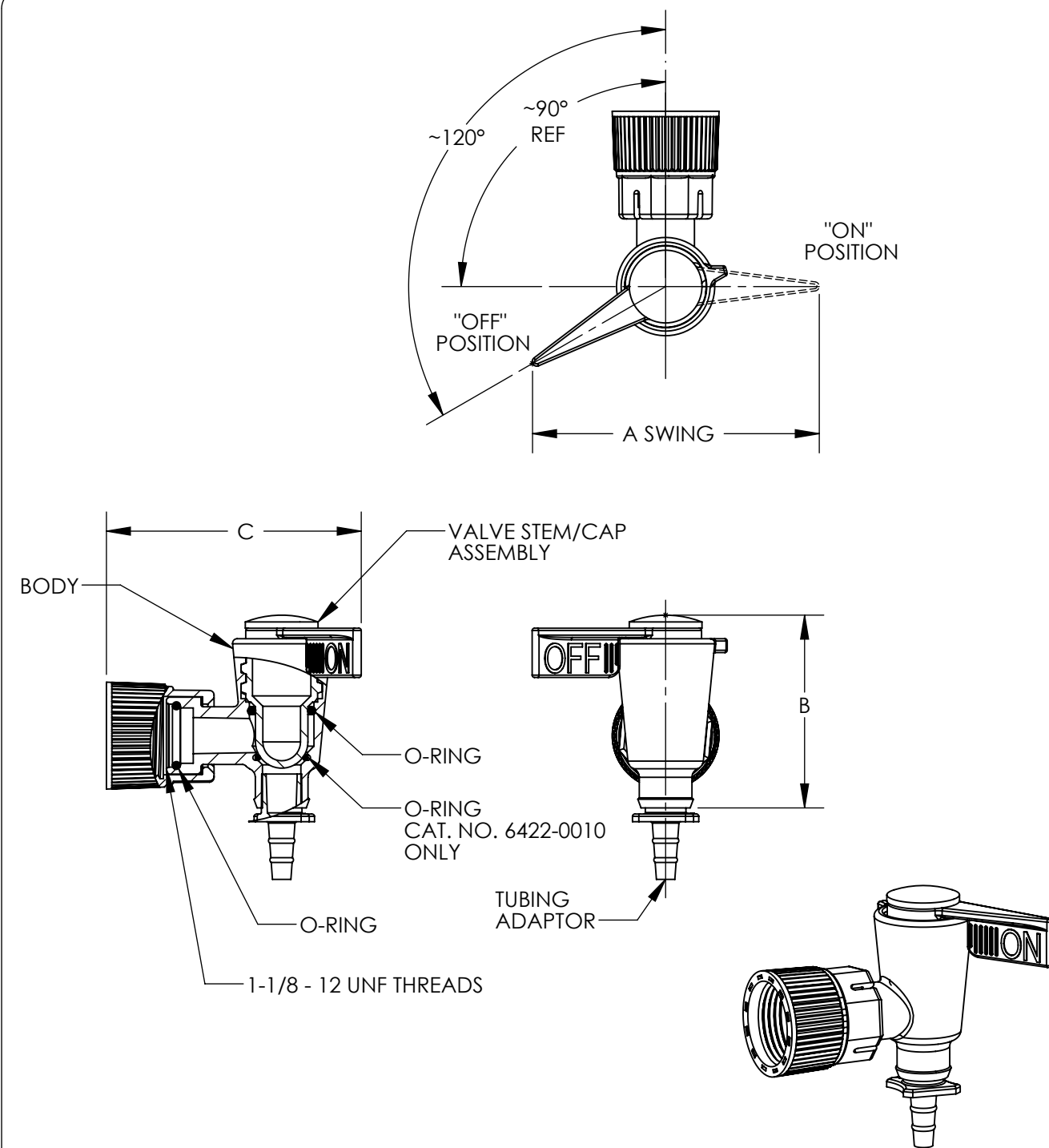


CATALOG NUMBER...:	6422-0010		6432-0010	
	INCH	MM	INCH	MM
A.....:	3.80 ±.05	96.5 ±1.3	3.80 ±.05	96.5 ±1.3
B.....:	2.58 ±.04	65.5 ±1.0	2.58 ±.04	65.5 ±1.0
C.....:	3.20 ±.05	81.3 ±1.3	3.20 ±.05	81.3 ±1.3
NOM. WEIGHT WITH ADAPTER (gms).....:	39		60	
	MATERIALS			
BODY.....:	BLUE PP		ETFE	
O-RINGS.....:	TFE		TFE	
VALVE STEM.....:	BLUE PP		ETFE	
CAP.....:	BLUE PP		BLUE PP	
NUT.....:	WHITE PP		WHITE PP	
TUBING ADAPTER.....:	HDPE		HDPE	

NOTES:
1. BODY SPOUT ACCEPTS 5/8" I.D. TUBING
2. TUBING ADAPTER ACCEPTS 1/4" OR 5/16" I.D. TUBING



SPECS ON BACK

NOT TO SCALE

1. ALL DIMENSIONS ARE NOMINAL AND IN INCHES AND MILLIMETERS UNLESS OTHERWISE NOTED.
2. THIS IS NOT A PRODUCTION DRAWING, BUT IS FOR INFORMATIONAL PURPOSES ONLY, AND IS SUBJECT TO CHANGE WITHOUT NOTICE.

CONFIDENTIAL

THIS PRODUCT SPECIFICATION SHEET CONTAINS CONFIDENTIAL AND/OR PROPRIETARY INFORMATION AND IS TO BE USED ONLY FOR THE EXPRESSED PURPOSES AGREED UPON BY AN AUTHORIZED OFFICER OF THERMO FISHER SCIENTIFIC.

ThermoFisher
SCIENTIFIC

Thermo Fisher Scientific
75 Panorama Creek Drive
Rochester, NY 14625-2385, USA

MADE	MC ²	APP'D	PVC
CK'D	SH		1/30/06

PSS 00-64X2-0010

REV.	0106
------	------

DESCRIPTION:
QUICK ACTION SPIGOT