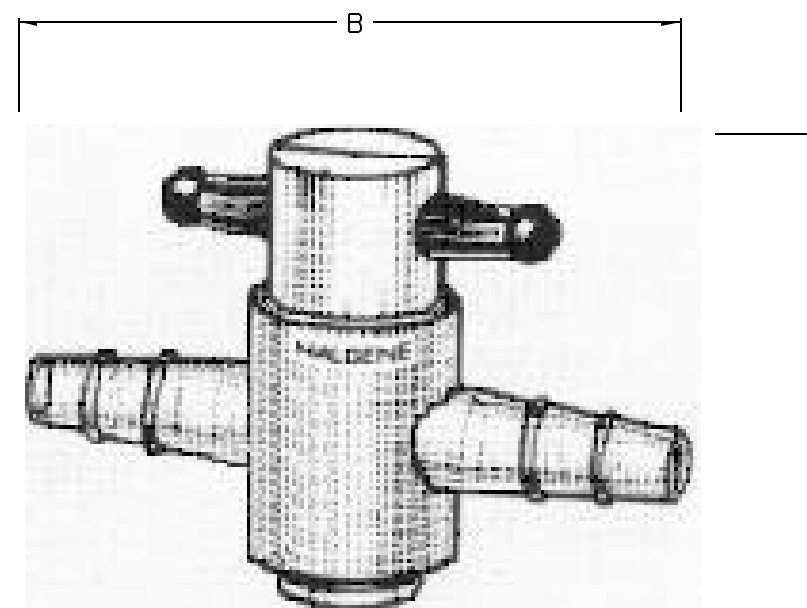


CATALOG NO.....:	6460-0002		6460-0004	
	INCHES	MM	INCHES	MM
A (HEIGHT).....:	1.69	42.9	1.69	42.9
B (LENGTH).....:	2.55	64.8	2.55	64.8
BORE SIZE (mm).....:	2		4	
NOM. WEIGHT(gns)....:	17		17	

COMPONENT	MATERIAL
HANDLE	BLACK PP
O-RING	VITON
BODY	PP
PLUG	TFE



SPECS ON BACK

NOT TO SCALE

NOTES:

1. ALL DIMENSIONS ARE NOMINAL AND IN INCHES AND MILLIMETERS UNLESS OTHERWISE NOTED.
2. THIS IS NOT A PRODUCTION DRAWING, BUT IS FOR INFORMATIONAL PURPOSES ONLY, AND IS SUBJECT TO CHANGE WITHOUT NOTICE.

CONFIDENTIAL

THIS PRODUCT SPECIFICATION SHEET CONTAINS CONFIDENTIAL AND/OR PROPRIETARY INFORMATION AND IS TO BE USED ONLY FOR THE EXPRESSED PURPOSES AGREED UPON BY AN AUTHORIZED OFFICER OF THERMO FISHER SCIENTIFIC.

ThermoFisher
SCIENTIFIC

Thermo Fisher Scientific
75 Panorama Creek Drive
Rochester, NY 14625-2385, USA

MADE	PB	APP'D	PVC	PSS 00-6460-000X	REV.	1200
CK'D	PVC		12/21/00			

DESCRIPTION:

TWO-WAY STOPCOCK