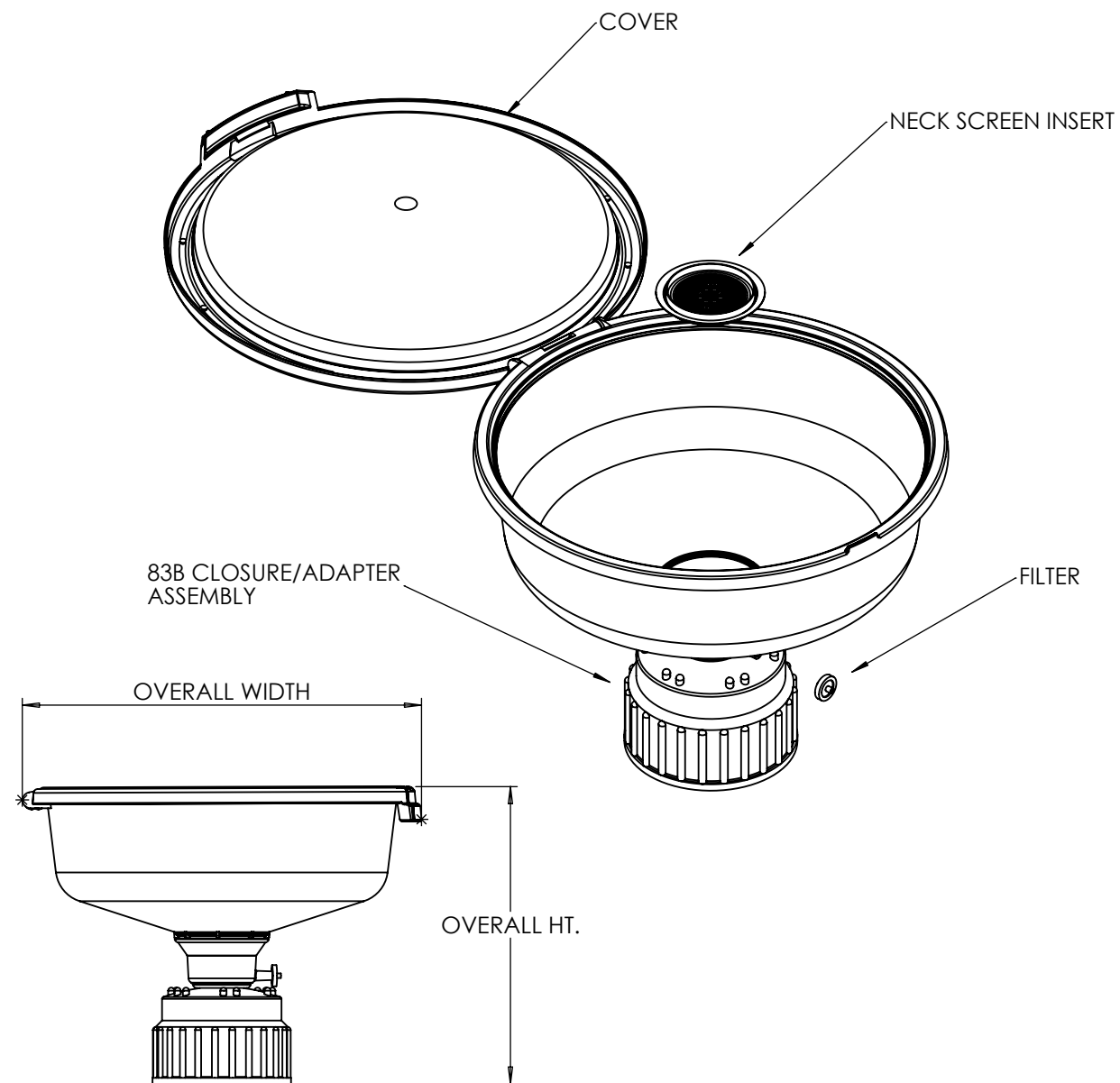


CATALOG NUMBER.....:	6378-0010	
CLOSURE SIZE (mm).....:	83B	
NOM. WT. (gms).....:	490	
	INCH	MM
FUNNEL TOP I.D.....:	10	254
NOM. OVERALL HT. W/ CLOSED LID.....:	8.6	218
NOM. OVERALL WIDTH W/ CLOSED LID.....:	11.4	290

COMPONENT	MATERIAL
COVER	RED HDPE
FUNNEL	HDPE
NECK SCREEN INSERT	PP
83B CLOSURE	WHITE PP
FUNNEL ADAPTER	PP
FILTER HOUSING/MEMBRANE	PP/PTFE



SPECS ON BACK

NOT TO SCALE

1. ALL DIMENSIONS ARE NOMINAL AND IN INCHES AND MILLIMETERS UNLESS OTHERWISE NOTED.
2. THIS IS NOT A PRODUCTION DRAWING, BUT IS FOR INFORMATIONAL PURPOSES ONLY, AND IS SUBJECT TO CHANGE WITHOUT NOTICE.

CONFIDENTIAL

THIS PRODUCT SPECIFICATION SHEET CONTAINS CONFIDENTIAL AND/OR PROPRIETARY INFORMATION AND IS TO BE USED ONLY FOR THE EXPRESSED PURPOSES AGREED UPON BY AN AUTHORIZED OFFICER OF THERMO FISHER SCIENTIFIC.

ThermoFisher
SCIENTIFIC

Thermo Fisher Scientific
75 Panorama Creek Drive
Rochester, NY 14625-2385, USA

MADE	MCC	APP'D	PVC	PSS 00-6378-0010	REV.	1101
CK'D	PVC		11/30/01			
DESCRIPTION: 83B SAFETY WASTE FUNNEL ASSEMBLY						