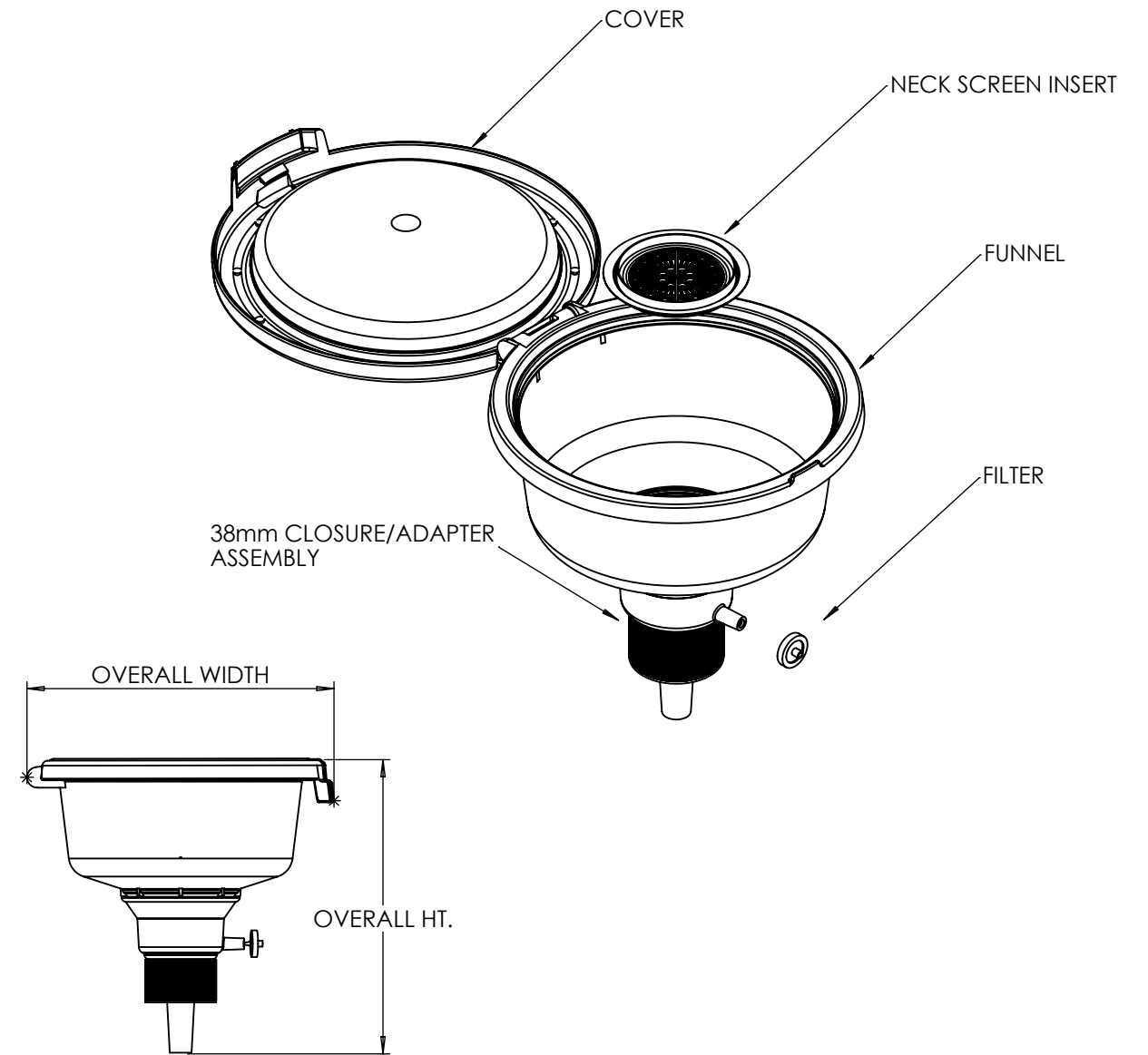


CATALOG NUMBER.....:	6378-0004	
CLOSURE SIZE (mm).....:	38-430	
NOM. WT. (gms).....:	180	
	INCH	MM
FUNNEL TOP I.D.....:	5.5	140
NOM. OVERALL HT. W/ CLOSED LID.....:	6.7	170
NOM. OVERALL WIDTH W/ CLOSED LID.....:	7.0	178

COMPONENT	MATERIAL
COVER	RED HDPE
FUNNEL	HDPE
NECK SCREEN INSERT	PP
38mm CLOSURE	WHITE PP
FUNNEL ADAPTER	PP
FILTER HOUSING/MEMBRANE	PP/PTFE



SPECS ON BACK

NOT TO SCALE

1. ALL DIMENSIONS ARE NOMINAL AND IN INCHES AND MILLIMETERS UNLESS OTHERWISE NOTED.
2. THIS IS NOT A PRODUCTION DRAWING, BUT IS FOR INFORMATIONAL PURPOSES ONLY, AND IS SUBJECT TO CHANGE WITHOUT NOTICE.

CONFIDENTIAL

THIS PRODUCT SPECIFICATION SHEET CONTAINS CONFIDENTIAL AND/OR PROPRIETARY INFORMATION AND IS TO BE USED ONLY FOR THE EXPRESSED PURPOSES AGREED UPON BY AN AUTHORIZED OFFICER OF THERMO FISHER SCIENTIFIC.

ThermoFisher
SCIENTIFIC

Thermo Fisher Scientific
75 Panorama Creek Drive
Rochester, NY 14625-2385, USA

MADE	MCC	APP'D	PVC	PSS 00-6378-0004	REV. 1101
CK'D	PVC		11/30/01		
DESCRIPTION: 38mm SAFETY WASTE FUNNEL ASSEMBLY					