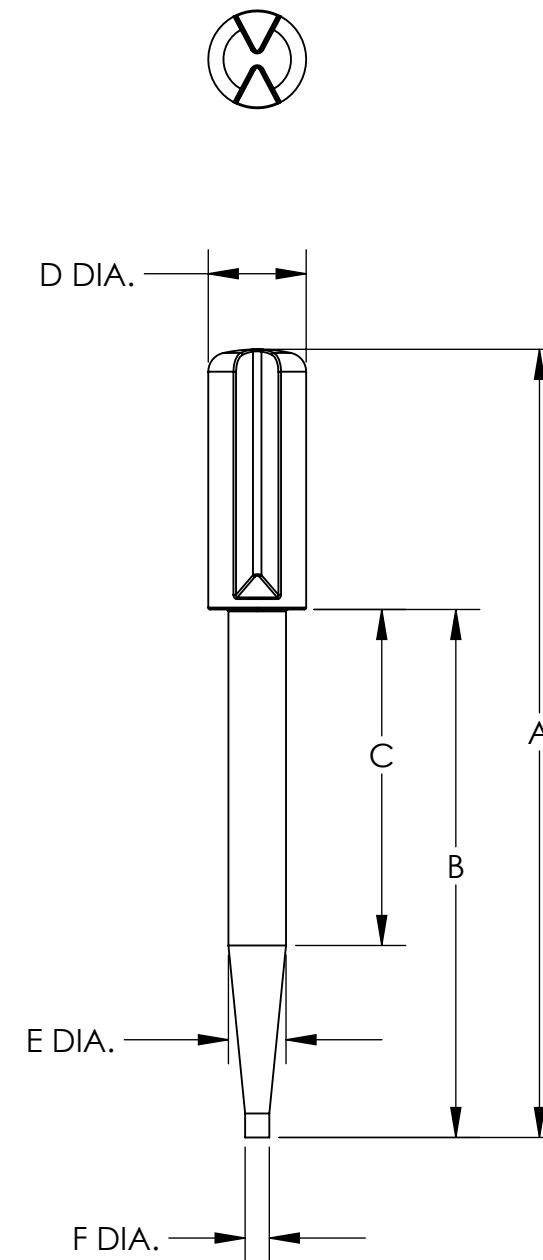
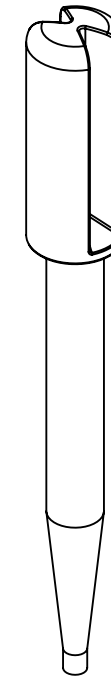


CATALOG NO.....:	6219-0068	
MATERIAL.....:	LDPE	
NOMINAL SIZE (mm)....:	68	
	INCH	MM
A (O.A.L.).....:	4.10 ±.03	104.1 ±0.8
B	2.75 ±.03	69.9 ±0.8
C	1.75 ±.03	44.5 ±0.8
D (DIA.).....:	0.51 ±.02	13.0 ±0.5
E (DIA.).....:	0.30 ±.02	7.6 ±0.5
F (DIA.).....:	0.13 ±.02	3.3 ±0.5



SPECS ON BACK

NOT TO SCALE

1. ALL DIMENSIONS ARE NOMINAL AND IN INCHES AND MILLIMETERS UNLESS OTHERWISE NOTED.
2. THIS IS NOT A PRODUCTION DRAWING, BUT IS FOR INFORMATIONAL PURPOSES ONLY, AND IS SUBJECT TO CHANGE WITHOUT NOTICE.

CONFIDENTIAL

THIS PRODUCT SPECIFICATION SHEET CONTAINS CONFIDENTIAL AND/OR PROPRIETARY INFORMATION AND IS TO BE USED ONLY FOR THE EXPRESSED PURPOSES AGREED UPON BY AN AUTHORIZED OFFICER OF THERMO FISHER SCIENTIFIC.

ThermoFisher
SCIENTIFIC

Thermo Fisher Scientific
75 Panorama Creek Drive
Rochester, NY 14625-2385, USA

MADE	PB	APP'D	GRP
CK'D	KOW	4/19/12	

PSS 006219-0068

REV.
0412

DESCRIPTION:

DISPOSABLE DROPPER