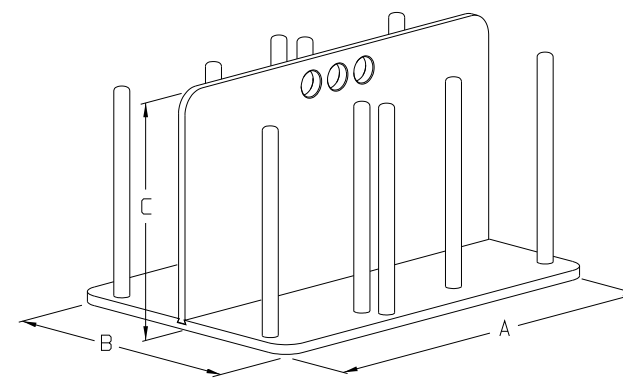
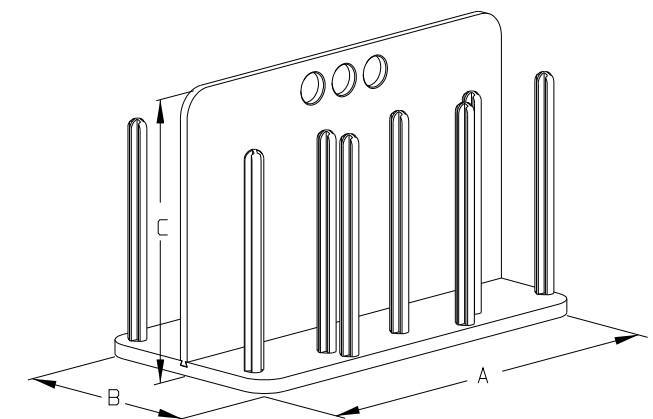


CATALOG NUMBER.....:		5920-0060	5921-0060		
PETRI DISH SIZE.....:		100mm	60mm		
MATERIAL	FRAME.....:	CLEAR PC	CLEAR PC		
	POSTS.....:	WHITE PC	WHITE PC		
	SCREWS.....:	METAL	METAL		
	FEET.....:	WHITE NEOPRENE	WHITE NEOPRENE		
NOM. WEIGHT (gms)....:		1300	1000		
		INCH	MM	INCH	MM
A (LENGTH).....:		13.40	340.4	11.70	297.2
B (DEPTH).....:		9.20	233.7	6.00	152.4
C (HEIGHT W/ FEET)....:		7.80	198.1	7.80	198.1



5920-0060

SPECS ON BACK



5921-0060

NOT TO SCALE

NOTES:

1. ALL DIMENSIONS ARE NOMINAL AND IN INCHES AND MILLIMETERS UNLESS OTHERWISE NOTED.
2. THIS IS NOT A PRODUCTION DRAWING, BUT IS FOR INFORMATIONAL PURPOSES ONLY, AND IS SUBJECT TO CHANGE WITHOUT NOTICE.

CONFIDENTIAL

THIS PRODUCT SPECIFICATION SHEET CONTAINS CONFIDENTIAL AND/OR PROPRIETARY INFORMATION AND IS TO BE USED ONLY FOR THE EXPRESSED PURPOSES AGREED UPON BY AN AUTHORIZED OFFICER OF THERMO FISHER SCIENTIFIC.

ThermoFisher
SCIENTIFIC

Thermo Fisher Scientific
75 Panorama Creek Drive
Rochester, NY 14625-2385, USA

MADE TL	APP'D GRP	PSS 00-592X-00XX	REV. 0511
CK'D PB	5/5/11		

DESCRIPTION:

AUTOCLAVABLE PETRI DISH RACKS