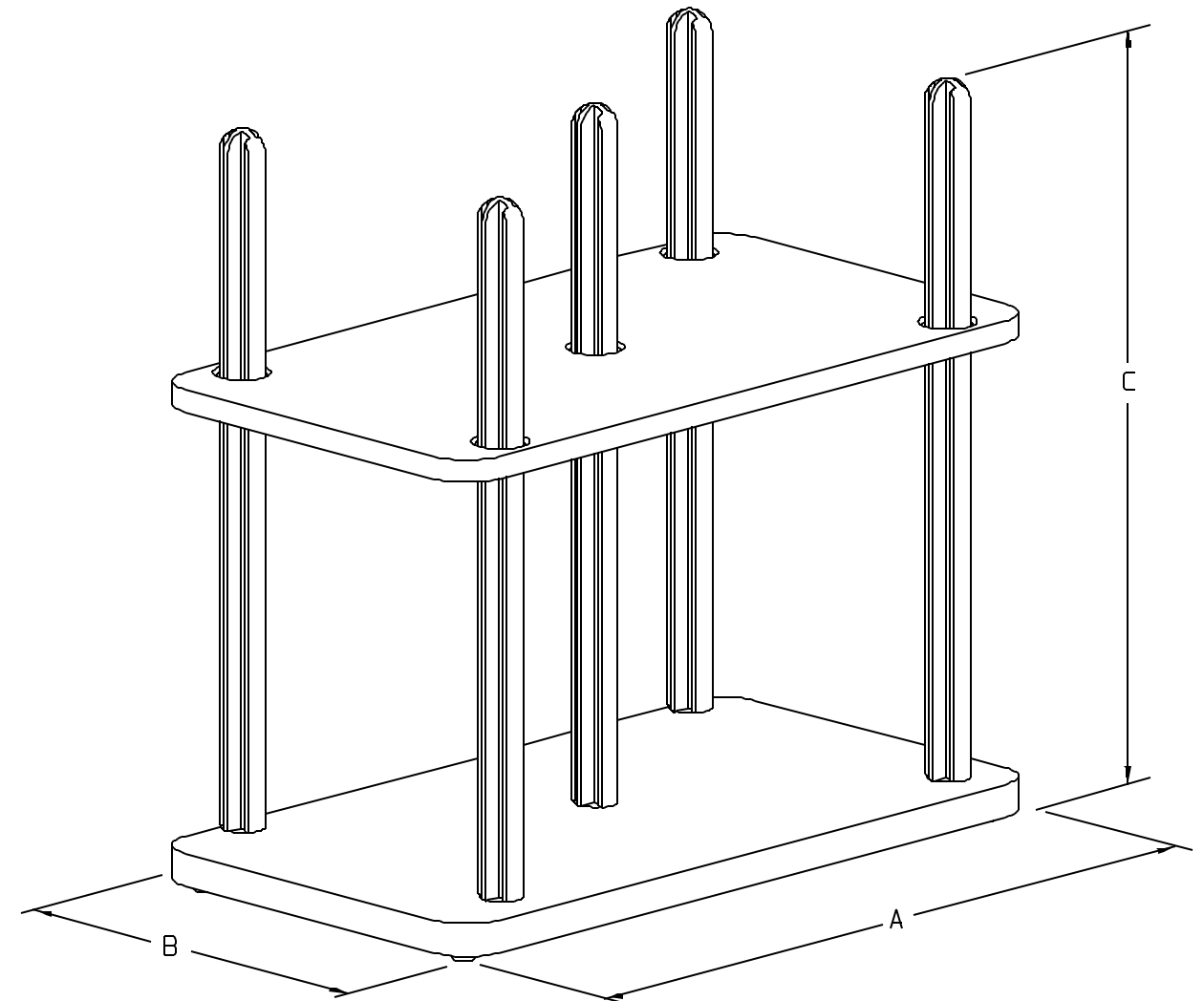


CATALOG NUMBER.....:		00-5922-0024	
PETRI DISH SIZE.....:		100mm	
MATERIAL	FRAME.....:	CLEAR ACRYLIC	
	POSTS.....:	WHITE PC	
	FEET.....:	WHITE NEOPRENE	
NOM. WEIGHT (gns)....:		580	
		INCH	MM
A (LENGTH).....:	8.8	224	
B (DEPTH).....:	4.9	124	
C (HEIGHT W/ FEET)....:	8.5	216	



SPECS ON BACK

NOT TO SCALE

NOTES:

1. ALL DIMENSIONS ARE NOMINAL AND IN INCHES AND MILLIMETERS UNLESS OTHERWISE NOTED.
2. THIS IS NOT A PRODUCTION DRAWING, BUT IS FOR INFORMATIONAL PURPOSES ONLY, AND IS SUBJECT TO CHANGE WITHOUT NOTICE.

CONFIDENTIAL

THIS PRODUCT SPECIFICATION SHEET CONTAINS CONFIDENTIAL AND/OR PROPRIETARY INFORMATION AND IS TO BE USED ONLY FOR THE EXPRESSED PURPOSES AGREED UPON BY AN AUTHORIZED OFFICER OF THERMO FISHER SCIENTIFIC.

**ThermoFisher**  
SCIENTIFIC

Thermo Fisher Scientific  
75 Panorama Creek Drive  
Rochester, NY 14625-2385, USA

MADE	MC <sup>2</sup>	APP'D	PVC	PSS 00-5922-0024	REV.	0302
CK'D	PVC		3/14/02			
DESCRIPTION: ACRYLIC PETRI DISH RACK						