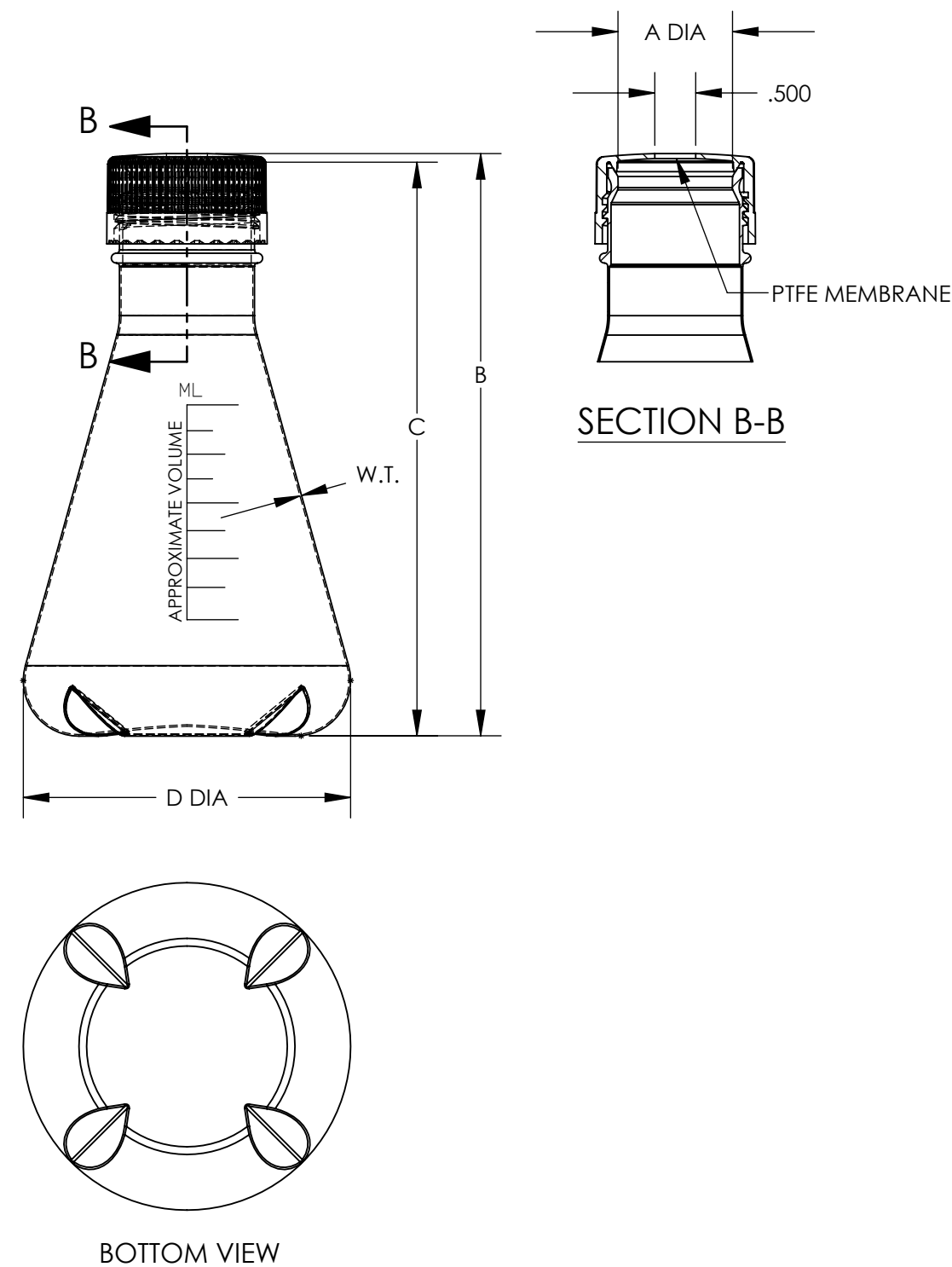


CATALOG NUMBER	NOMINAL CAPACITY (mL)						MATERIALS		
							BOTTLE	CLOSURE	LINER (70mm ONLY)
004116	125	250	500	1000	2000	2800	PETG	HDPE (BLUE)	LDPE/FOAM

SIZE CODE.....:	-0125		-0250		-0500	
NOM. CAP.....:	125		250		500	
CLOSURE SIZE (mm).....:	38/430		38/430		45/430	
NOM. WEIGHT W/ CLOSURE (gms).....:	35		45		94	
	INCH	MM	INCH	MM	INCH	MM
A (NECK I.D.).....:	1.04	26.4	1.04	26.4	1.48	37.6
B (HT. W/ CLOSURE).....:	4.44	112.8	5.39	136.9	7.00	177.8
C (HT W/O CLOSURE)::	4.34	110.2	5.24	133.1	6.83	173.5
D (DIA.).....:	2.61	66.3	3.25	82.6	4.00	101.6
W.T. (NOM. WALL THK.)::	.03	0.7	.03	0.7	.05	1.3

SIZE CODE.....:	-1000		-2000		-2800	
NOM. CAP.....:	1000		2000		2800	
CLOSURE SIZE (mm).....:	45/430		45/430		70	
NOM. WEIGHT W/ CLOSURE (gms).....:	100		150		300	
	INCH	MM	INCH	MM	INCH	MM
A (NECK I.D.).....:	1.40	35.6	1.40	35.6	2.40	61.0
B (HT. W/ CLOSURE).....:	8.80	223.5	10.79	274.1	9.40	238.8
C (HT W/O CLOSURE)::	8.61	218.7	10.64	270.3	9.02	229.1
D (DIA.).....:	5.11	129.8	6.36	161.5	8.00	203.2
W.T. (NOM. WALL THK.)::	.03	0.7	.03	0.7	.03	0.7

1. ALL DIMENSIONS ARE NOMINAL AND IN INCHES AND MILLIMETERS UNLESS OTHERWISE NOTED.
2. THIS IS NOT A PRODUCTION DRAWING, BUT IS FOR INFORMATIONAL PURPOSES ONLY, AND IS SUBJECT TO CHANGE WITHOUT NOTICE.



SPECS ON BACK

NOT TO SCALE

**CONFIDENTIAL**

THIS PRODUCT SPECIFICATION SHEET CONTAINS CONFIDENTIAL AND/OR PROPRIETARY INFORMATION AND IS TO BE USED ONLY FOR THE EXPRESSED PURPOSES AGREED UPON BY AN AUTHORIZED OFFICER OF THERMO FISHER SCIENTIFIC.

**ThermoFisher**  
SCIENTIFIC

Thermo Fisher Scientific  
75 Panorama Creek Drive  
Rochester, NY 14625-2385, USA

MADE	TL	APP'D	GRP	PSS 00-4116-XXXX	REV. 0313
CK'D	CHL	3/5/13			
DESCRIPTION: BAFLED STERILE DISPOSABLE FLASKS, VENTED					