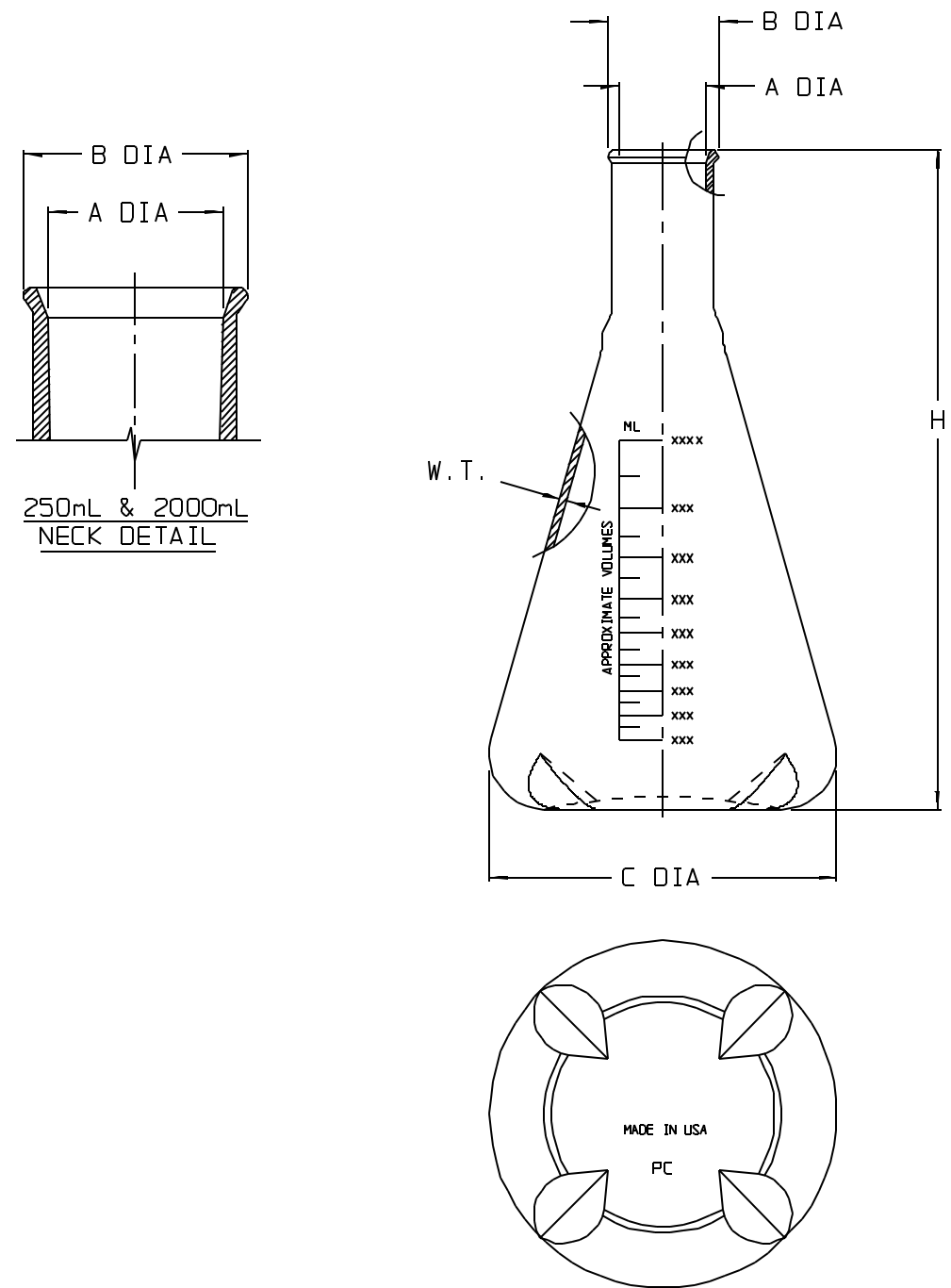


CATALOG NO.....:	4110-0250		4110-0500	
NOM. BRIM CAP. (nL)::	296		588	
MATERIAL.....:	PC		PC	
NOM. WEIGHT.....:	55		88	
	INCHES	MM	INCHES	MM
A (NECK I.D.).....:	1.06±.03	26.9±0.8	1.29±.02	32.8±0.5
B (NECK O.D.).....:	1.58±.03	40.1±0.8	1.49±.02	37.8±0.5
C (BASE DIA.).....:	3.25±.04	82.6±1.0	4.00±.04	101.6±1.0
H (HEIGHT).....:	5.26±.07	133.6±1.8	7.36±.07	186.9±1.8
W.T.(NOM. WALL THK)::	0.05	1.3	0.05	1.3

CATALOG NO.....:	4110-1000		4110-2000	
NOM. BRIM CAP. (nL)::	1120		2320	
MATERIAL.....:	PC		PC	
NOM. WEIGHT.....:	180		225	
	INCHES	MM	INCHES	MM
A (NECK I.D.).....:	1.20±.02	30.5±0.5	1.84±.03	46.7±0.8
B (NECK O.D.).....:	1.50±.02	38.1±0.5	2.27±.03	57.7±0.8
C (BASE DIA.).....:	5.11±.04	129.8±1.0	6.44±.05	163.6±1.3
H (HEIGHT).....:	9.64±.08	244.9±2.0	10.60±.08	269.2±2.0
W.T.(NOM. WALL THK)::	0.06	1.5	0.06	1.5

NOTES:

1. ALL DIMENSIONS ARE NOMINAL AND IN INCHES AND MILLIMETERS UNLESS OTHERWISE NOTED.
2. THIS IS NOT A PRODUCTION DRAWING, BUT IS FOR INFORMATIONAL PURPOSES ONLY, AND IS SUBJECT TO CHANGE WITHOUT NOTICE.



SPECS ON BACK

NOT TO SCALE

CONFIDENTIAL

THIS PRODUCT SPECIFICATION SHEET CONTAINS CONFIDENTIAL AND/OR PROPRIETARY INFORMATION AND IS TO BE USED ONLY FOR THE EXPRESSED PURPOSES AGREED UPON BY AN AUTHORIZED OFFICER OF THERMO FISHER SCIENTIFIC.

ThermoFisher
SCIENTIFIC

Thermo Fisher Scientific
75 Panorama Creek Drive
Rochester, NY 14625-2385, USA

MADE	MC	APP'D	PVC 9/29/97	PSS 00-4110-XXXX	REV.	1200
CK'D	PVC					

DESCRIPTION:

BAFFLED FLASK