

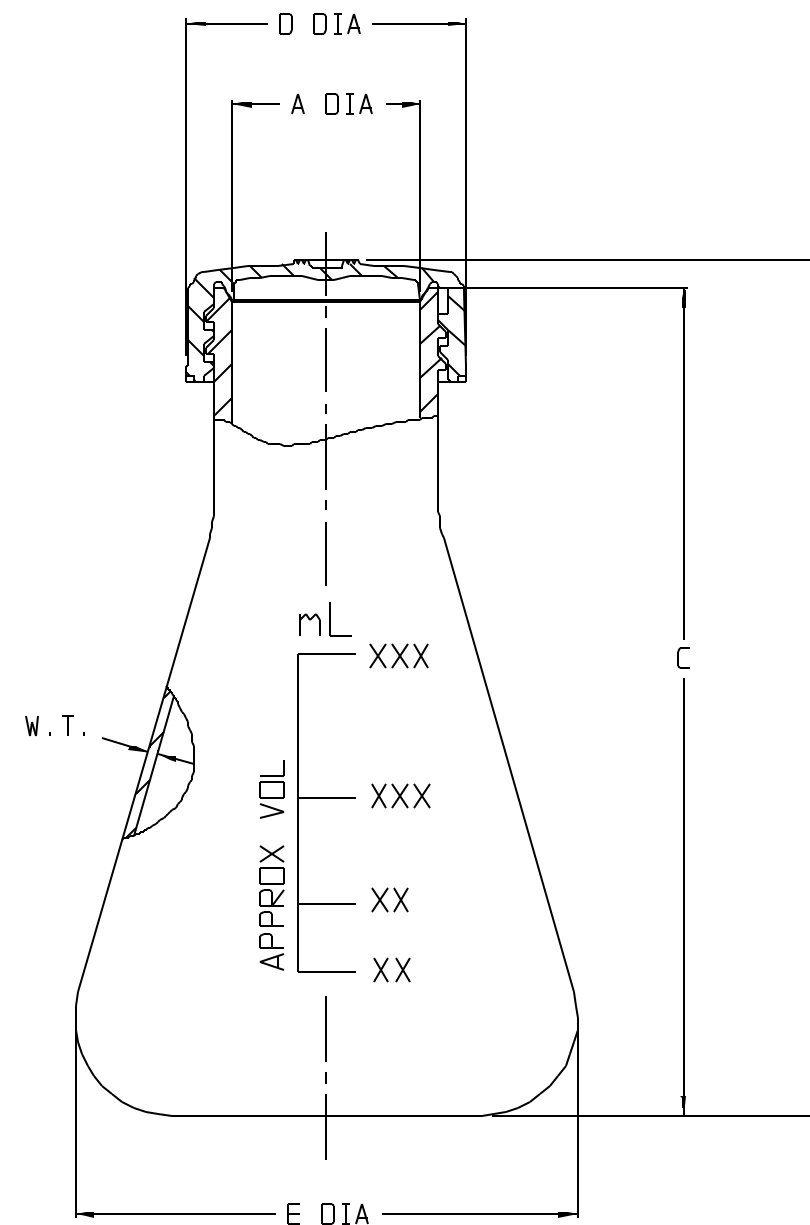
CATALOG NO.	NOMINAL CAPACITY (mL)					MATERIALS	
						FLASK	CLOSURE
4108	50	125	250	500	1000	PC	PP

SIZE CODE.....	-0050		-0125		-0250	
NOM. BRIM CAP. (mL):	65		150		300	
CLOSURE SIZE.....	24		33		38	
NOM. WEIGHT W/CLOSURE (gms).....	14		40		58	
	INCHES	MM	INCHES	MM	INCHES	MM
A (FLASK NECK I.D.):	0.65 ±0.06	16.5 ±1.5	0.92 ±0.06	23.4 ±1.5	1.09 ±0.06	27.7 ±1.5
B (HT. W/CLOSURE):	3.16 ±0.10	80.3 ±2.5	4.40 ±0.12	111.8 ±3.0	5.45 ±0.12	138.4 ±3.0
C (HT. W/O CLOSURE):	3.07 ±0.10	78.0 ±2.5	4.27 ±0.12	108.5 ±3.0	5.27 ±0.12	133.9 ±3.0
D (DIA):	1.12 ±0.03	28.4 ±0.8	1.47 ±0.04	37.3 ±1.0	1.67 ±0.04	42.4 ±1.0
E (DIA):	2.00 ±0.06	50.8 ±1.5	2.63 ±0.06	66.8 ±1.5	3.25 ±0.06	82.6 ±1.5
W.T.(NOM. WALL THK):	0.025	0.6	0.05	1.3	0.04	1.0

SIZE CODE.....	-0500		-1000	
NOM. BRIM CAP. (mL):	566		1160	
CLOSURE SIZE.....	43		53	
NOM. WEIGHT W/CLOSURE (gms).....	98		156	
	INCHES	MM	INCHES	MM
A (FLASK NECK I.D.):	1.15 ±0.06	29.2 ±1.5	1.60 ±0.06	40.6 ±1.5
B (HT. W/CLOSURE):	7.03 ±0.12	178.6 ±3.0	8.71 ±0.12	221.2 ±3.0
C (HT. W/O CLOSURE):	6.84 ±0.12	173.7 ±3.0	8.51 ±0.12	216.2 ±3.0
D (DIA):	1.83 ±0.04	46.5 ±1.0	2.27 ±0.04	57.7 ±1.0
E (DIA):	4.00 ±0.06	101.6 ±1.5	5.12 ±0.06	130.0 ±1.5
W.T.(NOM. WALL THK):	0.04	1.0	0.04	1.0

NOTES:

1. ALL DIMENSIONS ARE NOMINAL AND IN INCHES AND MILLIMETERS UNLESS OTHERWISE NOTED.
2. THIS IS NOT A PRODUCTION DRAWING, BUT IS FOR INFORMATIONAL PURPOSES ONLY, AND IS SUBJECT TO CHANGE WITHOUT NOTICE.



SPECS ON BACK

NOT TO SCALE

CONFIDENTIAL

THIS PRODUCT SPECIFICATION SHEET CONTAINS CONFIDENTIAL AND/OR PROPRIETARY INFORMATION AND IS TO BE USED ONLY FOR THE EXPRESSED PURPOSES AGREED UPON BY AN AUTHORIZED OFFICER OF THERMO FISHER SCIENTIFIC.

ThermoFisher
SCIENTIFIC

Thermo Fisher Scientific
75 Ponorama Creek Drive
Rochester, NY 14625-2385, USA

MADE JGJ	APP'D PVC	PSS 00-4108-XXXX-1	REV. 0600
CK'D PVC	6/20/00		

DESCRIPTION:
ERLENMEYER FLASK W/SCREW CLOSURE