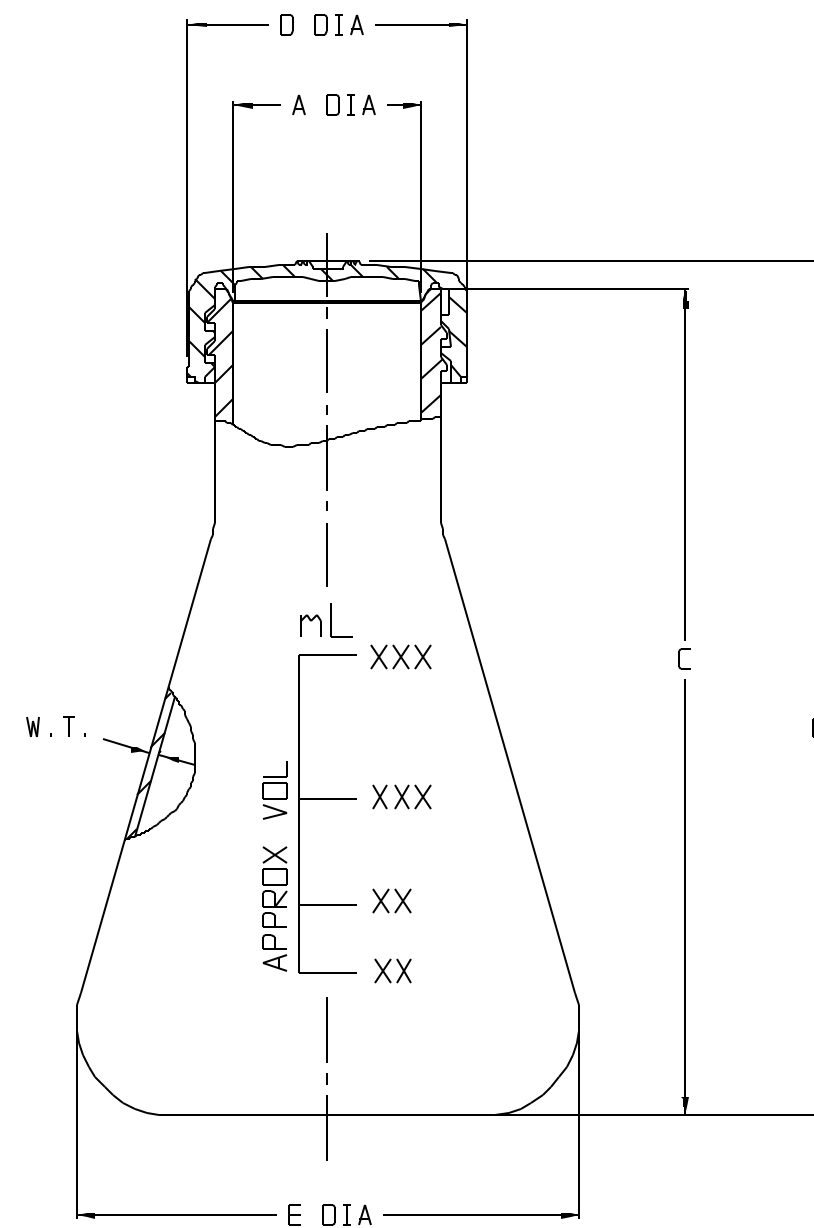


CATALOG NO.	NOMINAL CAPACITY (mL)			MATERIALS	
				FLASK	CLOSURE
4106	50	125	250	FEP	ETFE

SIZE CODE.....:	-0050		-0125		-0250	
NOM. BRIM CAP. (mL):	54		150		270	
CLOSURE SIZE.....:	24		33		38	
NOM. WEIGHT W/CLOSURE (gms).....:	35		55		95	
	INCHES	MM	INCHES	MM	INCHES	MM
A (FLASK NECK I.D.):	0.68 ±0.06	17.3 ±1.5	0.95 ±0.06	24.1 ±1.5	1.05 ±0.06	26.7 ±1.5
B (HT. W/CLOSURE):	3.12 ±0.10	79.2 ±2.5	4.37 ±0.12	111.0 ±3.0	5.40 ±0.12	137.2 ±3.0
C (HT. W/O CLOSURE):	3.01 ±0.10	76.5 ±2.5	4.21 ±0.12	106.9 ±3.0	5.24 ±0.12	133.1 ±3.0
D (DIA):	1.13 ±0.04	28.7 ±1.0	1.47 ±0.04	37.3 ±1.0	1.65 ±0.04	41.9 ±1.0
E (DIA):	1.96 ±0.06	49.8 ±1.5	2.61 ±0.06	66.3 ±1.5	3.21 ±0.06	81.5 ±1.5
W.T.(NOM. WALL THK):	0.06	1.5	0.05	1.3	0.05	1.3



SPECS ON BACK

NOT TO SCALE

NOTES:

1. ALL DIMENSIONS ARE NOMINAL AND IN INCHES AND MILLIMETERS UNLESS OTHERWISE NOTED.
2. THIS IS NOT A PRODUCTION DRAWING, BUT IS FOR INFORMATIONAL PURPOSES ONLY, AND IS SUBJECT TO CHANGE WITHOUT NOTICE.

CONFIDENTIAL

THIS PRODUCT SPECIFICATION SHEET CONTAINS CONFIDENTIAL AND/OR PROPRIETARY INFORMATION AND IS TO BE USED ONLY FOR THE EXPRESSED PURPOSES AGREED UPON BY AN AUTHORIZED OFFICER OF THERMO FISHER SCIENTIFIC.

ThermoFisher
SCIENTIFIC

Thermo Fisher Scientific
75 Panorama Creek Drive
Rochester, NY 14625-2385, USA

MADE	MCC	APP'D PVC	PSS-00-4106-0XXX-1	REV.
CK'D	PVC	4/28/94		-

DESCRIPTION:
ERLENMEYER FLASK W/SCREW CLOSURE