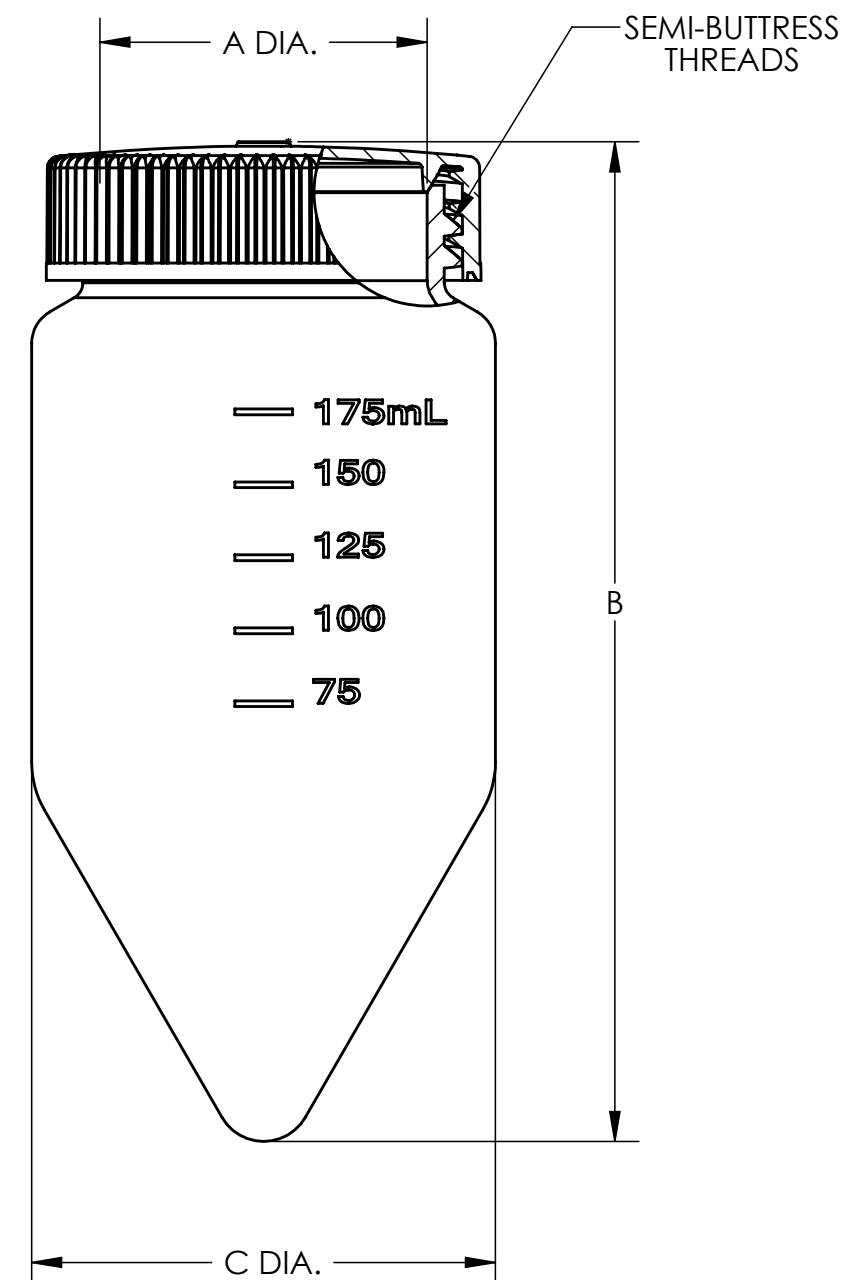


CATALOG NUMBER	NOMINAL CAPACITY (mL)	MATERIALS	
		BOTTLE	CLOSURE
3145	175	PS	HDPE

SIZE CODE.....:	0175	
NOM. CAP.(mL).....:	175	
CLOSURE SIZE (mm).....:	53	
	INCH	MM
A (NECK I.D.).....:	1.71	43.4
B (HT. W/ CLOSURE).....:	5.34	135.6
C (DIA.).....:	2.42	61.5



SPECS ON BACK

NOT TO SCALE

1. ALL DIMENSIONS ARE NOMINAL AND IN INCHES AND MILLIMETERS UNLESS OTHERWISE NOTED.
2. THIS IS NOT A PRODUCTION DRAWING, BUT IS FOR INFORMATIONAL PURPOSES ONLY, AND IS SUBJECT TO CHANGE WITHOUT NOTICE.

CONFIDENTIAL

THIS PRODUCT SPECIFICATION SHEET CONTAINS CONFIDENTIAL AND/OR PROPRIETARY INFORMATION AND IS TO BE USED ONLY FOR THE EXPRESSED PURPOSES AGREED UPON BY AN AUTHORIZED OFFICER OF THERMO FISHER SCIENTIFIC.

ThermoFisher
SCIENTIFIC

Thermo Fisher Scientific
75 Panorama Creek Drive
Rochester, NY 14625-2385, USA

MADE	PB	APP'D	GRP	PSS-003145-0175	REV.	0807
CK'D	JDD	8/22/07				
DESCRIPTION:				CONICAL CENTRIFUGE BOTTLE		