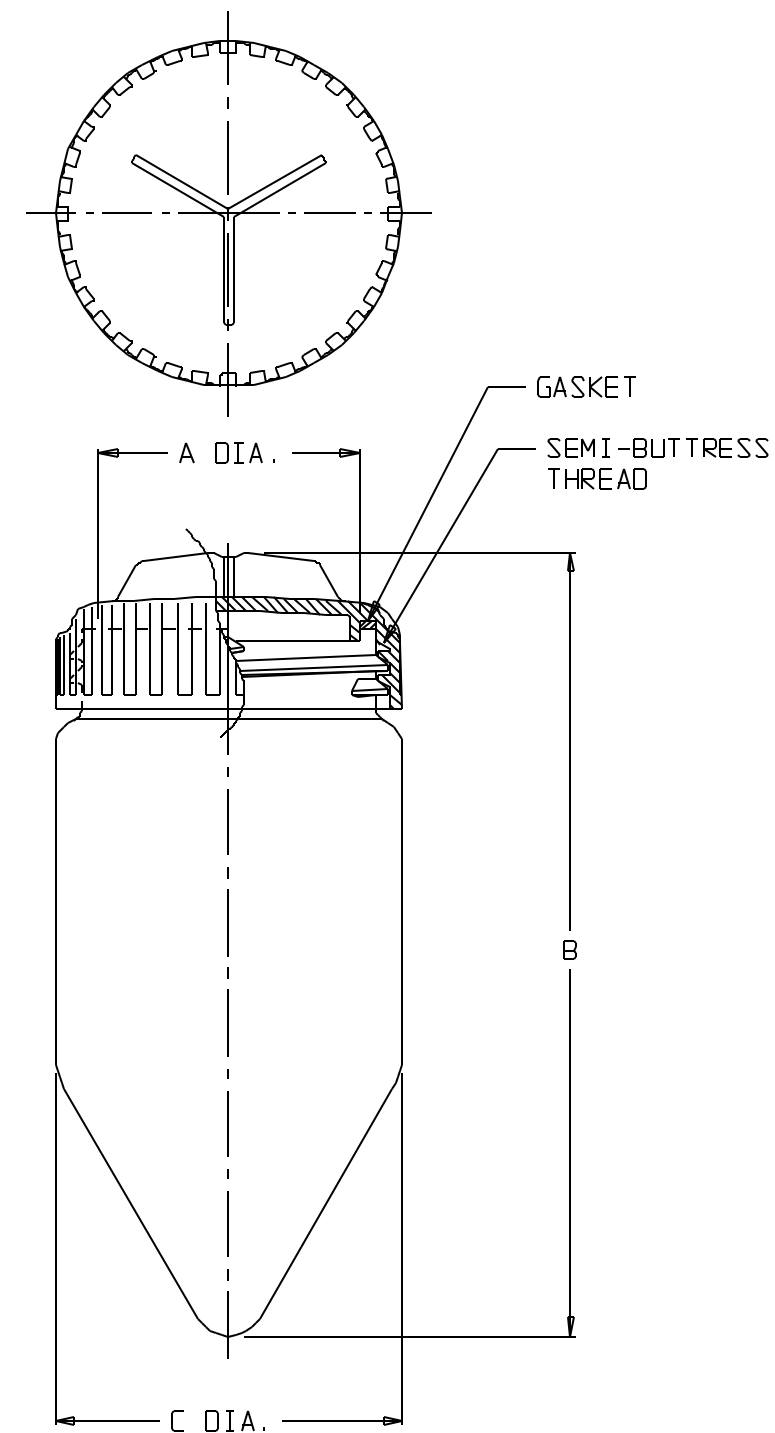


CATALOG NO.....:	3143-0175	
SIZE (NOM VOL mL)...:	175	
CLOSURE SIZE (mm)...:	58	
	INCH	MM
A (NECK I.D.).....:	1.83	46.5
B (HT. W/CLOSURE)...:	5.49 ±.05	139.4 ±1.3
C (DIA).....:	2.432 $\begin{smallmatrix} +.000 \\ -.030 \end{smallmatrix}$	61.77 $\begin{smallmatrix} +.00 \\ -.76 \end{smallmatrix}$
MATERIALS		
CLOSURE.....:	PP	
GASKET.....:	RED SILICONE	
BOTTLE.....:	PPCO	



SPECS ON BACK

NOT TO SCALE

NOT TO SCALE

NOTES:

1. ALL DIMENSIONS ARE NOMINAL AND IN INCHES AND MILLIMETERS UNLESS OTHERWISE NOTED.
2. THIS IS NOT A PRODUCTION DRAWING, BUT IS FOR INFORMATIONAL PURPOSES ONLY, AND IS SUBJECT TO CHANGE WITHOUT NOTICE.

CONFIDENTIAL

THIS PRODUCT SPECIFICATION SHEET CONTAINS CONFIDENTIAL AND/OR PROPRIETARY INFORMATION AND IS TO BE USED ONLY FOR THE EXPRESSED PURPOSES AGREED UPON BY AN AUTHORIZED OFFICER OF THERMO FISHER SCIENTIFIC.

Thermo Fisher Scientific
75 Ponorama Creek Drive
Rochester, NY 14625-2385, USA

MADE	JGJ	APP'D	PVC	PSS 00-3143-0175	REV. 0495
CK'D	PVC		4/6/95		
DESCRIPTION:				CONICAL-BOTTOM CENTRIFUGE BOTTLE	