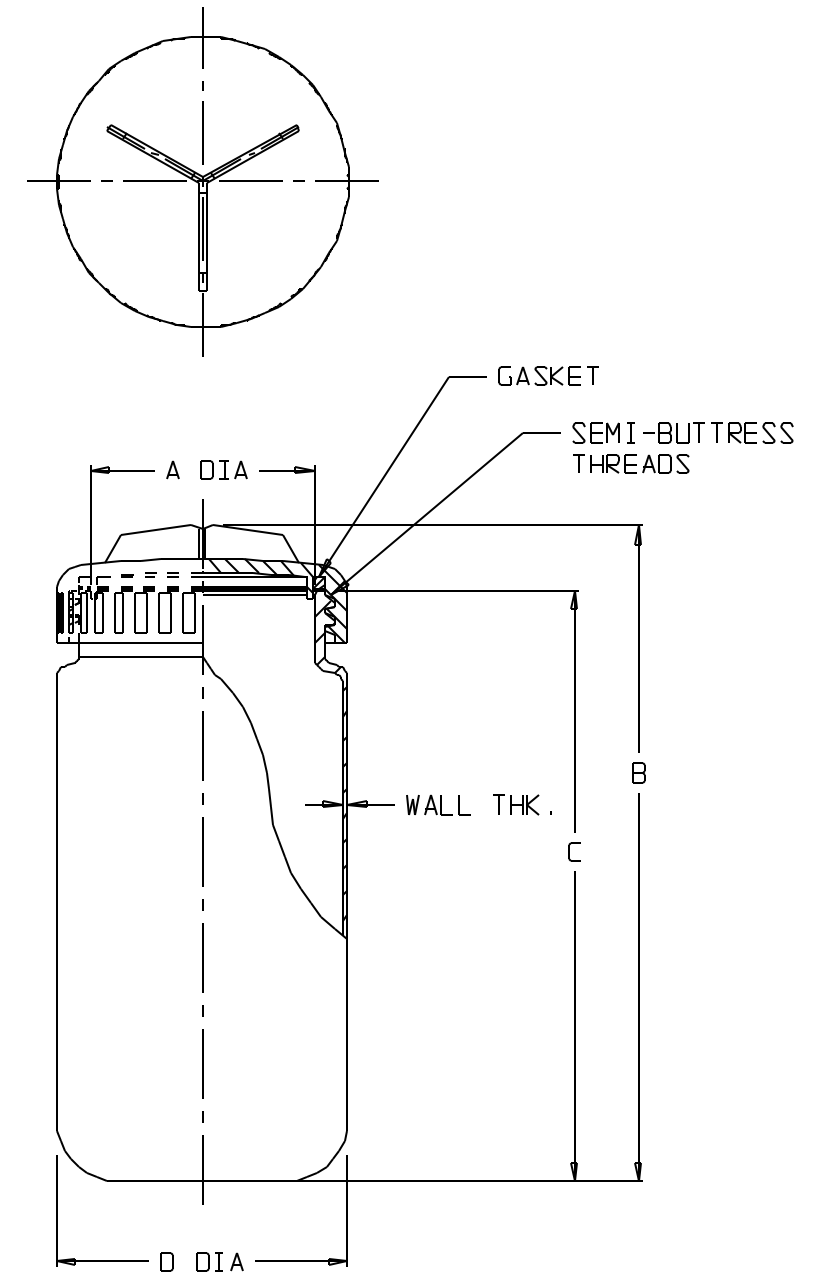


CATALOG NO.	NOMINAL CAPACITY (mL)		MATERIALS		
			BOTTLE	CLOSURE	GASKET
003141	250	450	PPCO	PP-WHITE	SILICONE

SIZE CODE.....:	-0250		-0500	
SIZE (NOM. VOL. mL)...:	250		450	
NOM. BRIM CAP. (mL):	288		450	
NECK FINISH (mm)....:	58		63	
THREAD (T.P.I.).....:	6		6	
NOM. WEIGHT. W/CLOSURE (gms)....:	48		75	
	INCH	MM	INCH	MM
A (NECK I.D.).....:	1.82 ±0.02	46.2 ±0.5	2.06 ±0.02	52.3 ±0.5
B (HT. W/CLOSURE)...:	5.23 ±0.06	132.8 ±1.5	6.27 ±0.06	159.3 ±1.5
C (HT. W/O CLOSURE):	4.67 ±0.06	118.6 ±1.5	5.67 ±0.06	144.0 ±1.5
D (DIA).....:	2.405 ^{+0.000} _{-.030}	61.09 ^{+0.00} _{-0.76}	2.735 ^{+0.000} _{-.030}	69.47 ^{+0.00} _{-0.76}
W.T (NOM. WALL THK.):	0.05	1.3	0.06	1.5

NOTES:

1. ALL DIMENSIONS ARE NOMINAL AND IN INCHES AND MILLIMETERS UNLESS OTHERWISE NOTED.
2. THIS IS NOT A PRODUCTION DRAWING, BUT IS FOR INFORMATIONAL PURPOSES ONLY, AND IS SUBJECT TO CHANGE WITHOUT NOTICE.



SPECS ON BACK

NOT TO SCALE

CONFIDENTIAL

THIS PRODUCT SPECIFICATION SHEET CONTAINS CONFIDENTIAL AND/OR PROPRIETARY INFORMATION AND IS TO BE USED ONLY FOR THE EXPRESSED PURPOSES AGREED UPON BY AN AUTHORIZED OFFICER OF THERMO FISHER SCIENTIFIC.

ThermoFisher
SCIENTIFIC

Thermo Fisher Scientific
75 Panorama Creek Drive
Rochester, NY 14625-2385, USA

MADE	JGJ	APP'D	PVC	PSS 00-3141-XXXX-1	REV.	0997
CHK'D	PVC		9/17/97			
DESCRIPTION: CENTRIFUGE BOTTLES w/SEALING CAP						