

CATALOG NO.	NOMINAL CAPACITY, (mL)				MATERIALS		
					TUBE	GASKET	CLOSURE
003137	—	—	30	50	PSF	RED SILICONE	WHITE PP
003138	10	16	30	50	PC	RED SILICONE	WHITE PP

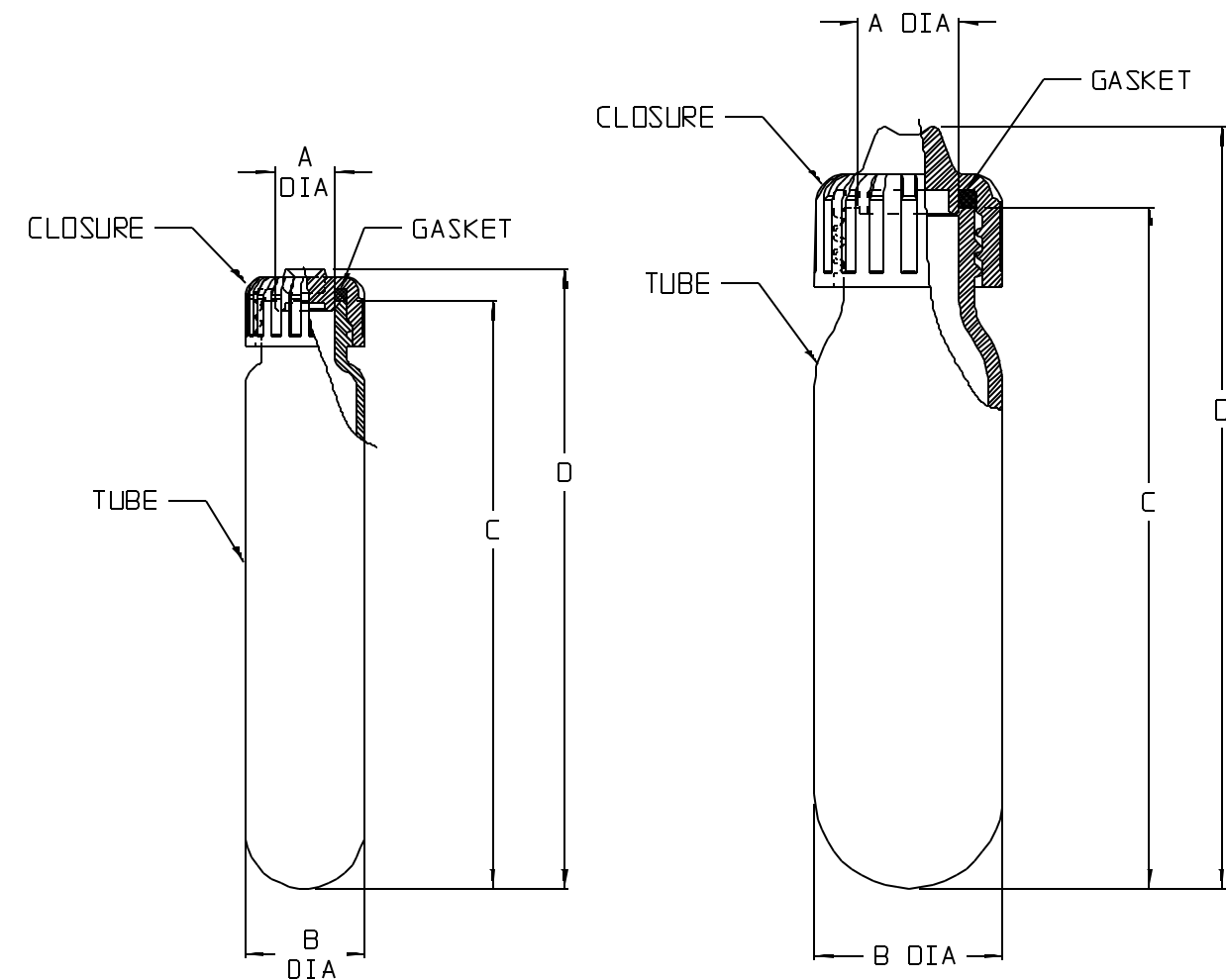
SIZE CODE.....	-0010		-0016	
NOM. CAP. (mL).....	10		16	
CLOSURE SIZE (mm).....	13		15	
NOM. WEIGHT W/ GASKET & CLOSURE.....	6		10	
	INCH	MM	INCH	MM
A (NECK I.D.).....	0.32	8.1	0.38	9.6
B (TUBE O.D.).....	$.635^{+0}_{-.02}$	$16.13^{+0}_{-.05}$	$.715^{+0}_{-.03}$	$18.16^{+0}_{-.076}$
C (HT. W/O CLOSURE).....	3.12	79.2	3.86	98.0
D (HT. W/ CLOSURE).....	3.30	83.8	4.22	107.2

SIZE CODE.....	-0030		-0050	
NOM. CAP. (mL).....	30		50 *	
CLOSURE SIZE (mm).....	20		24	
NOM. WEIGHT W/ GASKET & CLOSURE.....	14		24	
	INCH	MM	INCH	MM
A (NECK I.D.).....	0.54	13.7	0.64	16.3
B (TUBE O.D.).....	$1.016^{+0}_{-.04}$	$25.81^{+0}_{-1.02}$	$1.135^{+0}_{-.025}$	$28.83^{+0}_{-.064}$
C (HT. W/O CLOSURE).....	3.63	92.2	4.09	103.9
D (HT. W/ CLOSURE).....	4.04	102.6	4.52	114.8

* ACTUAL BRIM CAPACITY OF -0050 IS 43mL

NOTES:

1. ALL DIMENSIONS ARE NOMINAL AND IN INCHES AND MILLIMETERS UNLESS OTHERWISE NOTED.
2. THIS IS NOT A PRODUCTION DRAWING, BUT IS FOR INFORMATIONAL PURPOSES ONLY, AND IS SUBJECT TO CHANGE WITHOUT NOTICE.



CAT. NO. 3138-0010

CAT. NO. 3138-0016
3137-0030
3138-0030
3137-0050
3138-0050
(TYP)

SPECS ON BACK

NOT TO SCALE

CONFIDENTIAL

THIS PRODUCT SPECIFICATION SHEET CONTAINS CONFIDENTIAL AND/OR PROPRIETARY INFORMATION AND IS TO BE USED ONLY FOR THE EXPRESSED PURPOSES AGREED UPON BY AN AUTHORIZED OFFICER OF THERMO FISHER SCIENTIFIC.

ThermoFisher
SCIENTIFIC

Thermo Fisher Scientific
75 Panorama Creek Drive
Rochester, NY 14625-2385, USA

MADE	TL	APP'D	PSS 00-313X-00XX-1	REV.
CK'D	OV	GRP		10/23/09
DESCRIPTION:				
OAK RIDGE CENTRIFUGE TUBES WITH SEALING CAP				