

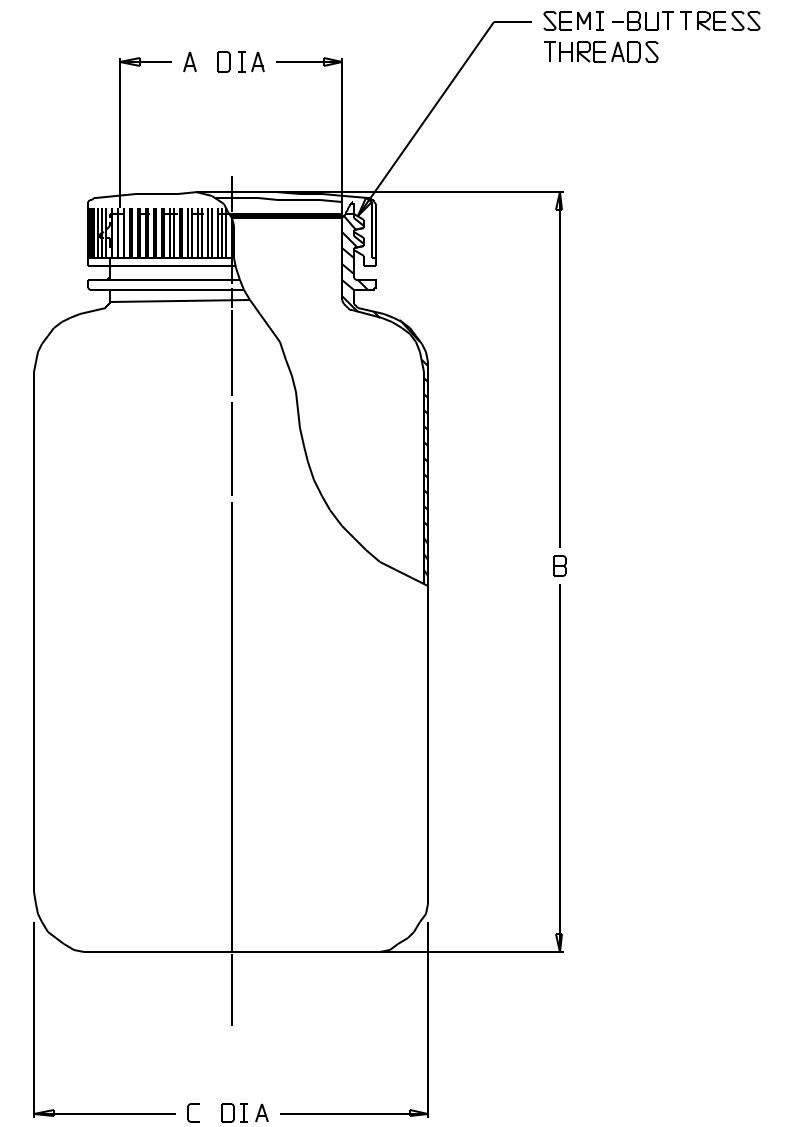
CATALOG NO.	NOMINAL CAPACITY, (mL)			MATERIALS	
				BOTTLE	CLOSURE
3120	250	500	1000	PPCO	PP

SIZE CODE.....:	-0250		-0500		-9500	
NOM. CAP. (mL).....:	250		500		500	
CLOSURE SIZE (mm)....:	38		48		48	
	INCH	MM	INCH	MM	INCH	MM
A (NECK I.D.).....:	1.14	29.0	1.47	37.3	1.46	37.1
B (HT. W/CLOSURE)....:	4.93 ±.04	125.2 ±1.0	6.65 ±.05	168.9 ±1.3	6.65 ±.05	168.9 ±1.3
C (DIA).....:	2.432 <sup>+.000</sup> <sub>-.020</sub>	61.77 <sup>+.00</sup> <sub>-.51</sub>	2.905 <sup>+.000</sup> <sub>-.030</sub>	73.79 <sup>+.00</sup> <sub>-.76</sub>	2.737 <sup>+.000</sup> <sub>-.030</sub>	69.52 <sup>+.00</sup> <sub>-.76</sub>

SIZE CODE.....:	-1000		-1010	
NOM. CAP. (mL).....:	1000		1000	
CLOSURE SIZE (mm)....:	63		63	
	INCH	MM	INCH	MM
A (NECK I.D.).....:	2.07	52.6	2.07	52.6
B (HT. W/CLOSURE)....:	6.86 ±.05	174.2 ±1.3	6.63 ±.05	168.4 ±1.3
C (DIA).....:	3.860 <sup>+.000</sup> <sub>-.080</sub>	98.04 <sup>+.000</sup> <sub>-2.03</sub>	3.860 <sup>+.000</sup> <sub>-.080</sub>	98.04 <sup>+.000</sup> <sub>-2.03</sub>

NOTES:

1. ALL DIMENSIONS ARE NOMINAL AND IN INCHES AND MILLIMETERS UNLESS OTHERWISE NOTED.
2. THIS IS NOT A PRODUCTION DRAWING, BUT IS FOR INFORMATIONAL PURPOSES ONLY, AND IS SUBJECT TO CHANGE WITHOUT NOTICE.



SPECS ON BACK

NOT TO SCALE

CONFIDENTIAL

THIS PRODUCT SPECIFICATION SHEET CONTAINS CONFIDENTIAL AND/OR PROPRIETARY INFORMATION AND IS TO BE USED ONLY FOR THE EXPRESSED PURPOSES AGREED UPON BY AN AUTHORIZED OFFICER OF THERMO FISHER SCIENTIFIC.

Thermo Fisher Scientific  
75 Panorama Creek Drive  
Rochester, NY 14625-2385, USA

MADE	TL	APP'D	PSS 00-3120-XXXX-1	REV.
CK'D	PB	GRP		0909
		9/30/09		

DESCRIPTION:

CENTRIFUGE BOTTLES