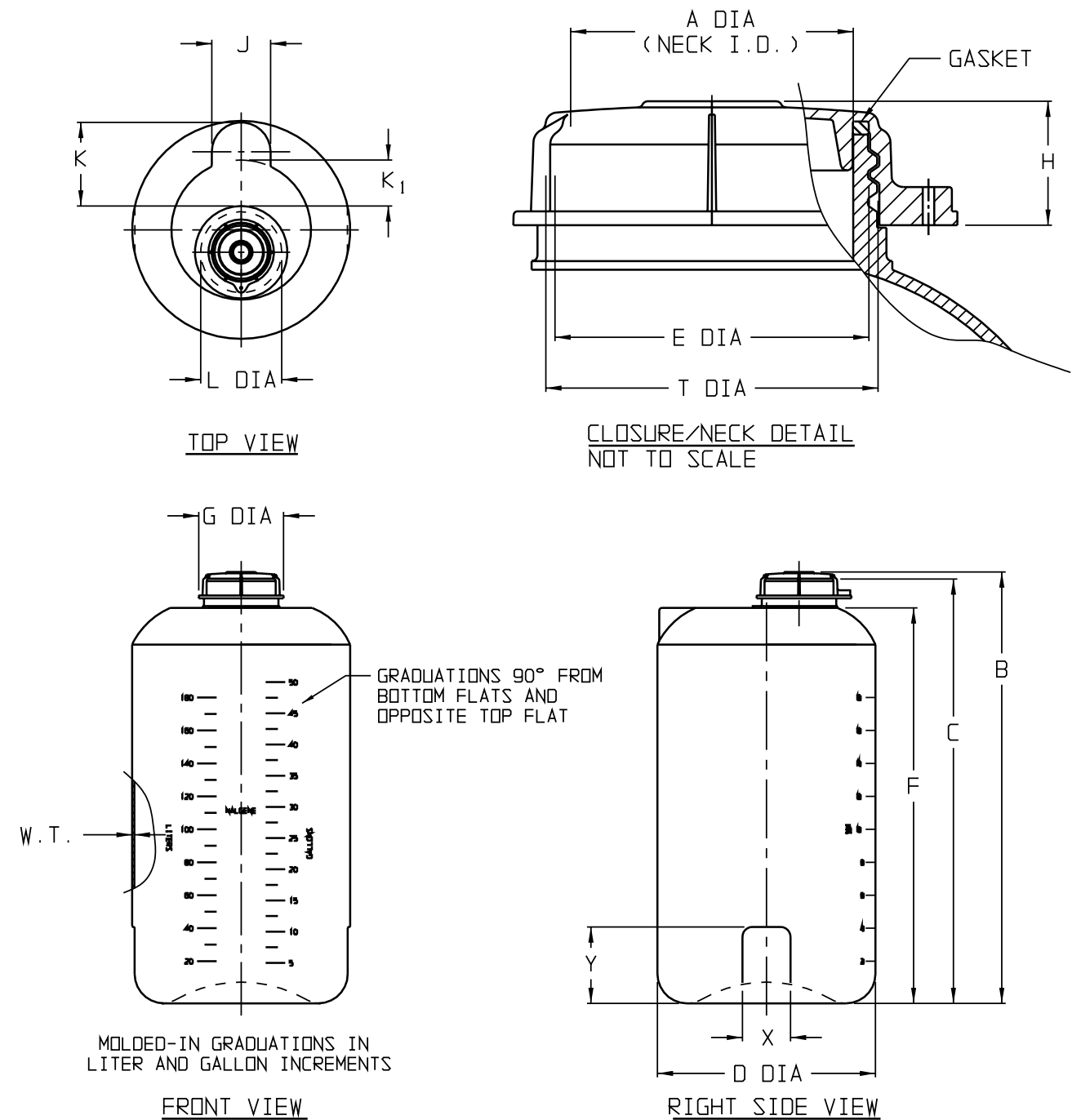


CATALOG NO.....	2650-0020		2650-0030		2650-0055		2650-0100	
MATERIAL	TANK.....	WHITE PP	WHITE PP	WHITE PP	WHITE PP	WHITE PP	WHITE PP	WHITE PP
	CLOSURE.....	WHITE PP	WHITE PP	WHITE PP	WHITE PP	WHITE PP	WHITE PP	WHITE PP
	GASKET.....	SILICONE	SILICONE	SILICONE	SILICONE	SILICONE	SILICONE	SILICONE
SIZE (NOM VOL L/GAL)...	75/20		115/30		210/55		380/100	
NECK FINISH (mm).....	185		185		185		185	
NOM. WEIGHT W/CLOSURE (Lbs).....	14		18		24		58	
	INCH	MM	INCH	MM	INCH	MM	INCH	MM
A (NECK I.D.).....	6.0	152	6.0	152	6.0	152	6.0	152
B (HT. W/CLOSURE).....	32.0	813	39.0	991	44.1	1120	52.0	1321
C (HT. W/O CLOSURE)....	31.1	790	38.3	973	43.3	1100	51.3	1303
D DIA.....	16.5	419	18.4	467.4	22.3	566	28.5	723.9
E (MINOR THRD DIA)....	6.9	1026	6.9	1026	6.9	1026	6.9	1026
T (MAJOR THRD DIA)....	7.4	188	7.4	188	7.4	188	7.4	188
F (HT).....	28.1	713.7	35.3	896.6	40.4	1026	48.3	1227
G (CLOSURE O.D.).....	8.7	221	8.7	221	8.7	221	8.7	221
H (CLOSURE HT).....	2.7	69	2.7	69	2.7	69	2.7	69
W.T.(NOM. WALL THK)...	0.25	6.4	0.25	6.4	0.25	6.4	0.31	7.9
J (FLAT WIDTH).....	-	-	6.0	152	6.0	152	6.0	152
K (DIST. TO CLOS.).....	-	-	14.2	361	8.8	224	8.9	226
K <sub>1</sub> .....	-	-	2.5	64	4.5	114	8.5	216
L DIA (CLOS TURN DIA)...	10.7	272	10.7	272	10.7	272	10.7	272
X (WIDTH OF FLAT).....	7.4	188	3.5	89	4.5	114	4.5	114
Y (HT. OF FLAT).....	22.7	577	5.5	140	8.0	203	8.0	203

DO NOT DUPLICATE  
-CONFIDENTIAL-

NOTES:

1. ALL DIMENSIONS ARE NOMINAL AND IN INCHES AND MILLIMETERS UNLESS OTHERWISE NOTED.
2. THIS IS NOT A PRODUCTION DRAWING, BUT IS FOR INFORMATIONAL PURPOSES ONLY, AND IS SUBJECT TO CHANGE WITHOUT NOTICE.



SPECS ON BACK

NOT TO SCALE

CONFIDENTIAL

THIS PRODUCT SPECIFICATION SHEET CONTAINS CONFIDENTIAL AND/OR PROPRIETARY INFORMATION AND IS TO BE USED ONLY FOR THE EXPRESSED PURPOSES AGREED UPON BY AN AUTHORIZED OFFICER OF THERMO FISHER SCIENTIFIC.

**ThermoFisher**  
SCIENTIFIC

Thermo Fisher Scientific  
75 Panorama Creek Drive  
Rochester, NY 14625-2385, USA

MADE	PB	APP'D	JGC	PSS 00-2650-OXXX	REV.	0608
CK'D	JGC		6/30/08			
DESCRIPTION: CLOSED DOME BIO-TANK						