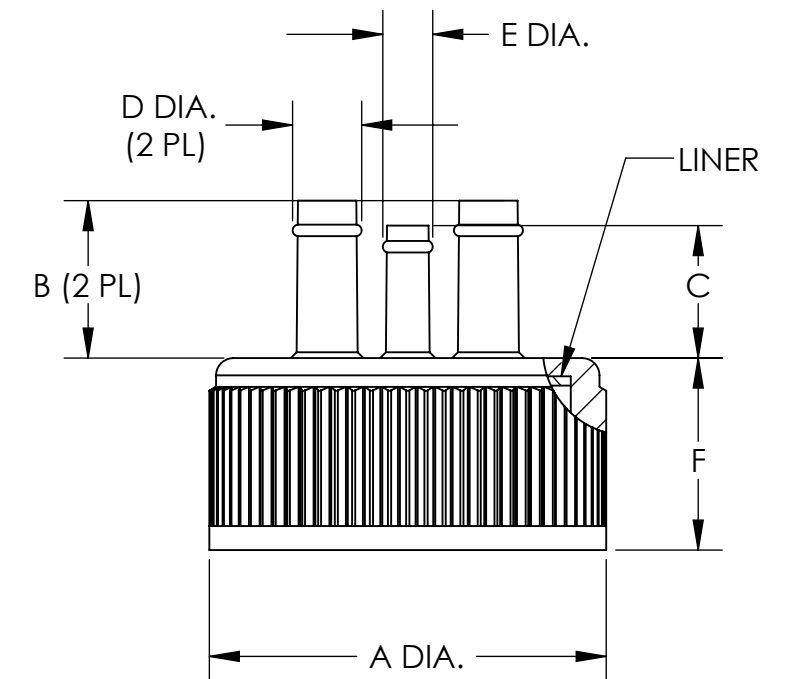
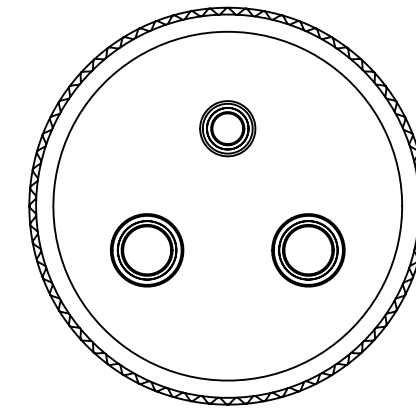
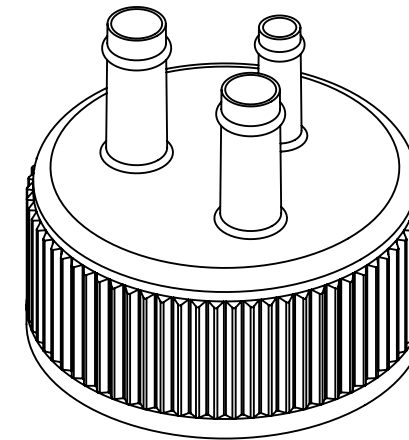


CATALOG NO.....:		002560-0489	
MATERIAL	CLOSURE	PP (NATURAL)	
	LINER	SILICONE	
SIZE (mm).....:		48mm - DOUBLE START THREAD	
		INCH	MM
A (DIA.).....:		2.07 ±.02	52.6 ±0.5
B (HT.).....:		0.81 ±.02	20.6 ±0.5
C (HT.).....:		0.71 ±.02	18.0 ±0.5
D (DIA.).....:		0.36 ±.01	9.2 ±0.3
E (DIA.).....:		0.26 ±.01	6.7 ±0.3
F (HT.).....:		1.00 ±.02	25.4 ±0.5



SPECS ON BACK

NOT TO SCALE

1. ALL DIMENSIONS ARE NOMINAL AND IN INCHES AND MILLIMETERS UNLESS OTHERWISE NOTED.
2. THIS IS NOT A PRODUCTION DRAWING, BUT IS FOR INFORMATIONAL PURPOSES ONLY, AND IS SUBJECT TO CHANGE WITHOUT NOTICE.

CONFIDENTIAL

THIS PRODUCT SPECIFICATION SHEET CONTAINS CONFIDENTIAL AND/OR PROPRIETARY INFORMATION AND IS TO BE USED ONLY FOR THE EXPRESSED PURPOSES AGREED UPON BY AN AUTHORIZED OFFICER OF THERMO FISHER SCIENTIFIC.

ThermoFisher
SCIENTIFIC

Thermo Fisher Scientific
75 Panorama Creek Drive
Rochester, NY 14625-2385, USA

MADE	PB	APP'D	GRP
CK'D	KOW	11/15/13	

PSS 002560-0489

REV.
1113

DESCRIPTION:
3-PORTED, 48mm BIOTAINER CLOSURE