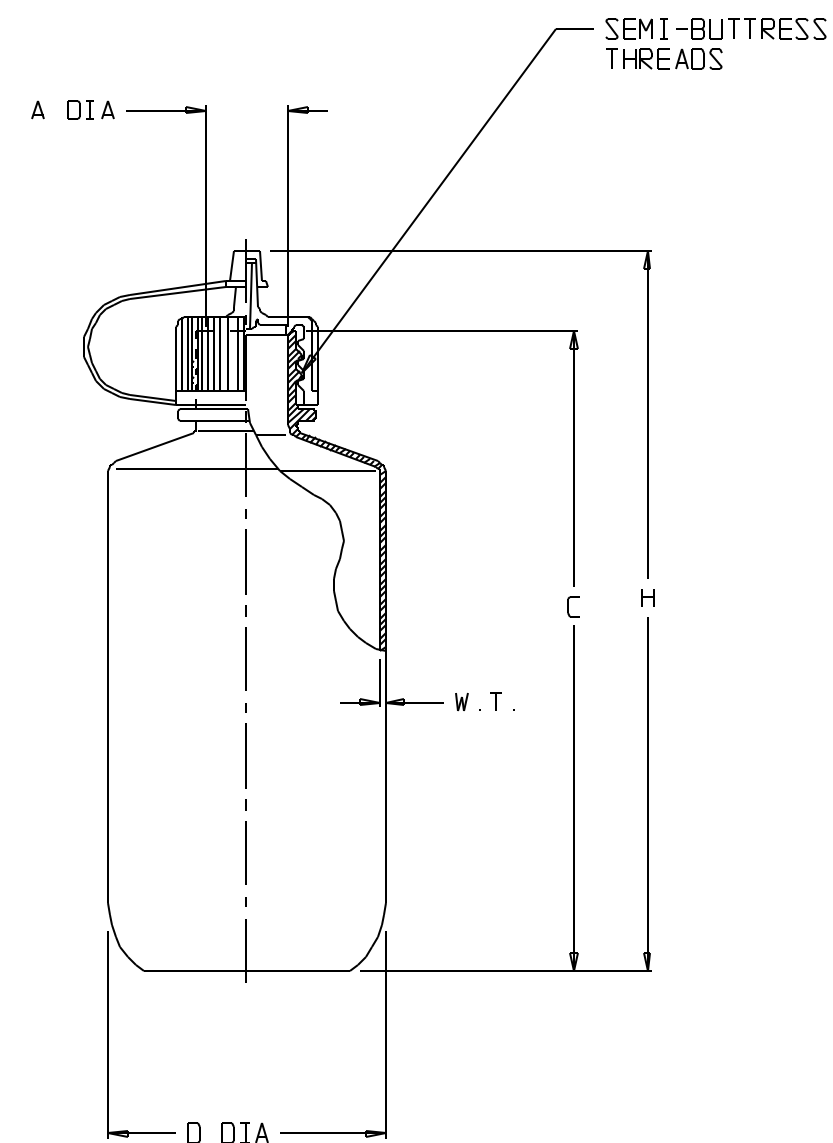


CATALOG NO.	NOMINAL CAPACITY (oz)		MATERIALS		
			BOTTLE	CLOSURE	CAP
002420	4	8	PPCO	BLUE PP	BLUE PP

SIZE CODE.....:	-0125		-0250	
SIZE (NOM VOL mL/oz)	125/4		250/8	
NOM. BRIM CAP. (mL):	145		290	
NECK FINISH (nm)....:	24-415		24-415	
THREAD (T.P.I.).....:	8		8	
NOM. WEIGHT W/CLOSURE (gms).....:	13		24	
	INCH	MM	INCH	MM
A (NECK I.D.).....:	0.69 ±0.02	17.5 ±0.5	0.69 ±0.02	17.5 ±0.5
C (HT. W/O CLOSURE):	3.88 ±0.08	98.6 ±2.0	5.13 ±0.08	130.3 ±2.0
D (DIA).....:	1.98 ±0.06	50.3 ±1.5	2.40 ±0.07	61.0 ±1.8
H (NOM OVERALL HT):	4.5	114	4.8	122
W.T.(NOM. WALL THK):	0.04	1.0	0.04	1.0

NOTES:

1. ALL DIMENSIONS ARE NOMINAL AND IN INCHES AND MILLIMETERS UNLESS OTHERWISE NOTED.
2. THIS IS NOT A PRODUCTION DRAWING, BUT IS FOR INFORMATIONAL PURPOSES ONLY, AND IS SUBJECT TO CHANGE WITHOUT NOTICE.



SPECS ON BACK

NOT TO SCALE

CONFIDENTIAL

THIS PRODUCT SPECIFICATION SHEET CONTAINS CONFIDENTIAL AND/OR PROPRIETARY INFORMATION AND IS TO BE USED ONLY FOR THE EXPRESSED PURPOSES AGREED UPON BY AN AUTHORIZED OFFICER OF THERMO FISHER SCIENTIFIC.

ThermoFisher
SCIENTIFIC

Thermo Fisher Scientific
75 Panorama Creek Drive
Rochester, NY 14625-2385, USA

MADE	JGJ	APP'D	PVC	PSS 00-2420-XXXX-1	REV. 0595
CK'D	PVC		5/5/95		

DESCRIPTION:

AUTOCLAVABLE DISPENSING BOTTLES