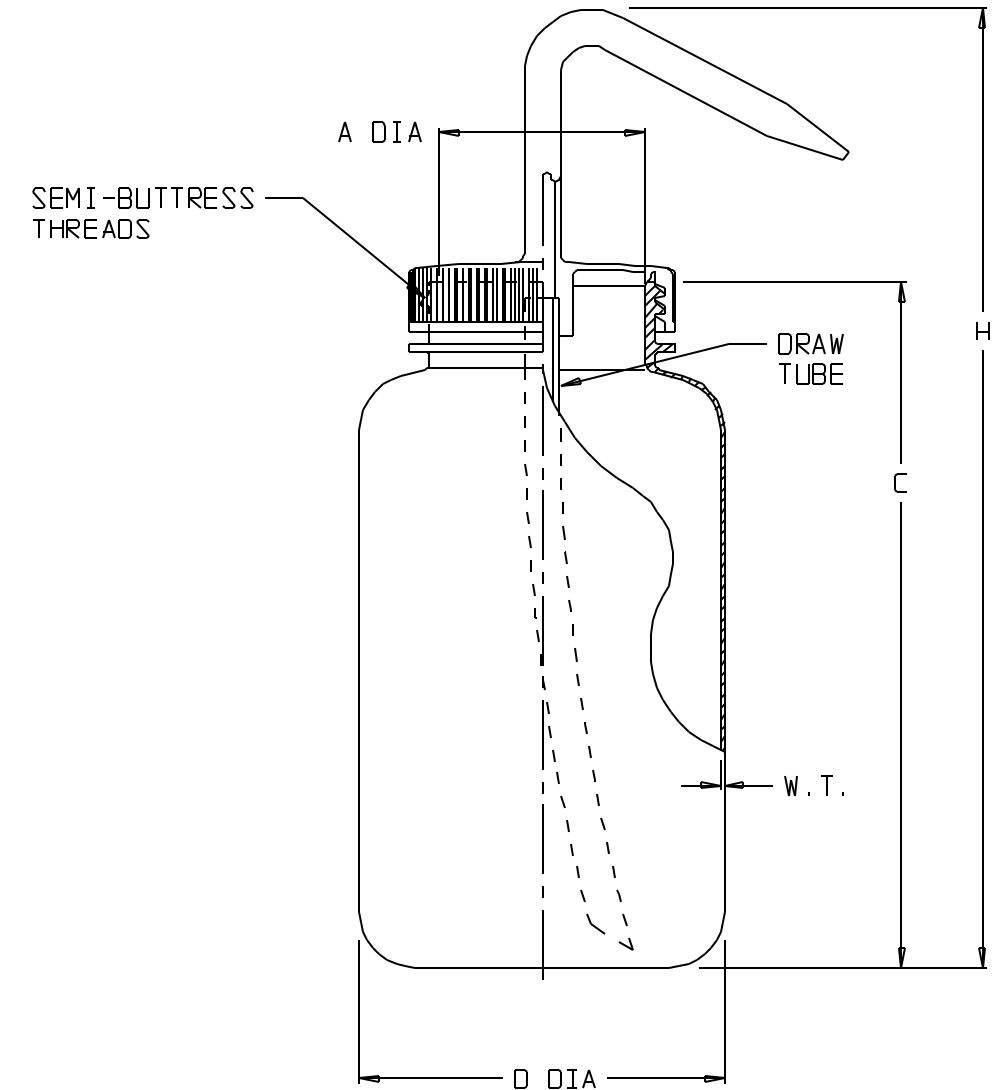


CATALOG NO.	NOMINAL CAPACITY (oz)		MATERIALS		
			BOTTLE	CLOSURE	DRAW TUBE
002407	16	32	LOPE	PP	PPCO

SIZE CODE.....:	-0500		-1000	
SIZE (NOM VOL mL/oz)	500/16		1000/32	
NOM. BRIM CAP. (mL):	550		1060	
NECK FINISH (mm)....:	53-415		63-415	
THREAD (T.P.I.).....:	6		6	
NOM. WEIGHT W/CLOSURE (gms).....:	74		108	
	INCH	MM	INCH	MM
A (NECK I.D.).....:	1.72 ±0.03	43.7 ±0.8	2.06 ±0.03	52.3 ±0.8
C (HT. W/O CLOSURE):	6.46 ±0.09	164.1 ±2.3	7.65 ±0.10	194.3 ±2.5
D (DIA).....:	2.88 ±0.08	73.2 ±2.0	3.63 ±0.08	92.2 ±2.0
H (OVERALL NOM HT):	8.5	216	9.7	246
W.T.(NOM. WALL THK):	0.035	0.9	0.040	1.0

NOTES:

1. ALL DIMENSIONS ARE NOMINAL AND IN INCHES AND MILLIMETERS UNLESS OTHERWISE NOTED.
2. THIS IS NOT A PRODUCTION DRAWING, BUT IS FOR INFORMATIONAL PURPOSES ONLY, AND IS SUBJECT TO CHANGE WITHOUT NOTICE.



SPECS ON BACK

NOT TO SCALE

CONFIDENTIAL

THIS PRODUCT SPECIFICATION SHEET CONTAINS CONFIDENTIAL AND/OR PROPRIETARY INFORMATION AND IS TO BE USED ONLY FOR THE EXPRESSED PURPOSES AGREED UPON BY AN AUTHORIZED OFFICER OF THERMO FISHER SCIENTIFIC.

**ThermoFisher  
SCIENTIFIC**

Thermo Fisher Scientific  
75 Panorama Creek Drive  
Rochester, NY 14625-2385, USA

MADE	MCC	APP'D	PVC	PSS 00-2407-XXXX-1	REV. 0593
CK'D	PVC		5/11/93		

DESCRIPTION:

WIDE-MOUTH WASH BOTTLES