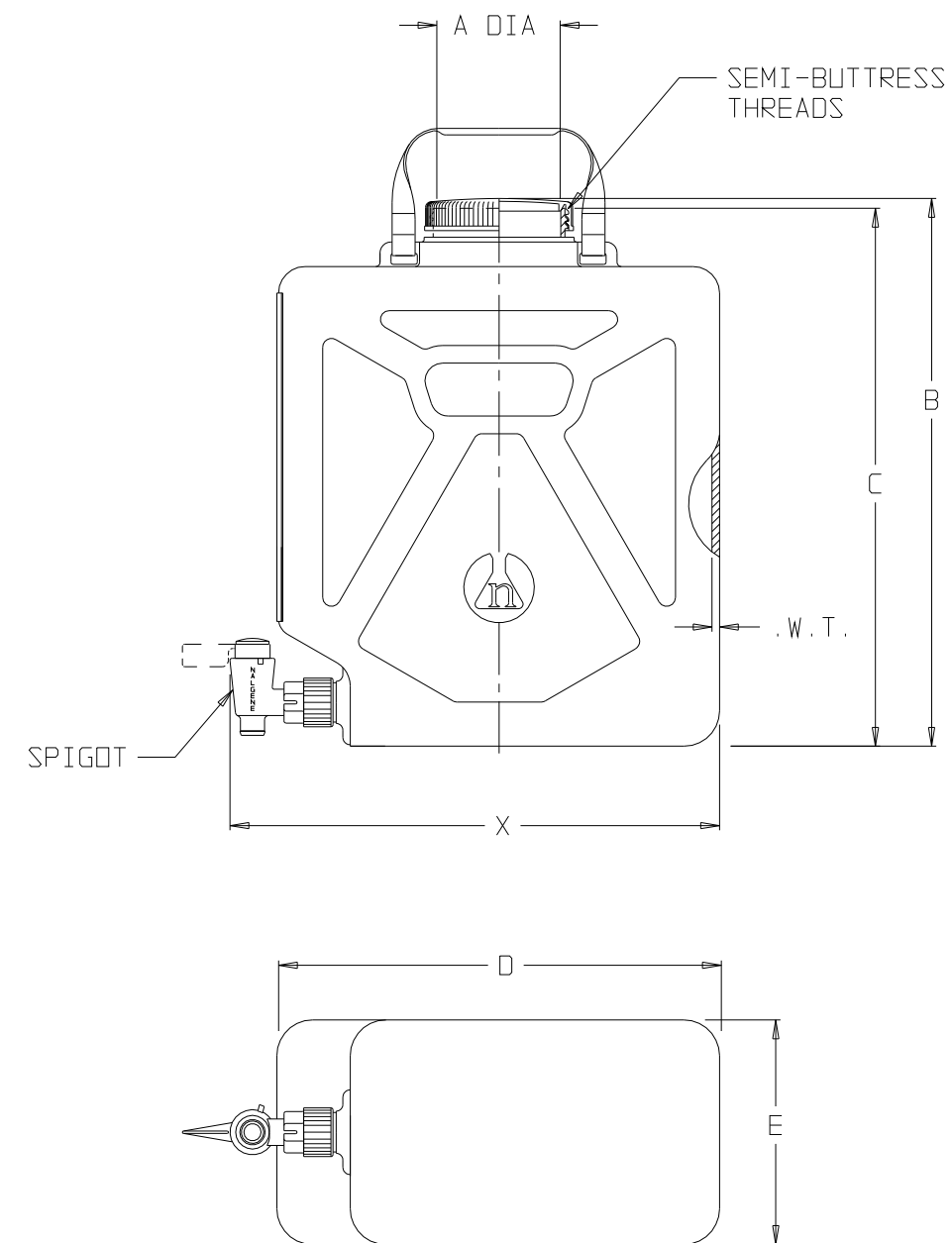


CATALOG NO.	NOMINAL CAPACITY (GAL)		MATERIALS		
			CARBOY	CLOSURE	SPIGOT (WITH TEFLON O-RING)
002320	2	5	HDPE	WHITE PP	PP
002321	2	5	PPCO	WHITE PP	PP
002322	2	5	PC	WHITE PP	PP
002327	2	5	FLUORINATED HDPE	FLUORINATED WHITE PP	TEFZEL

SIZE CODE.....:	-0020	-0050
SIZE (NOM VOL L/GAL):	9/ 2	20/ 5
NOM. BRIM CAP. (L)...:	9	21
NECK FINISH (mm)....:	100-415	100-415
THREAD (T.P.I.).....:	5	5
NOM. WEIGHT W/ CLOSURE(gms).....:	850	1600
A (NECK I.D.).....:	3.40 ±.25	3.40 ±.25
B (HT. W/ CLOSURE)...:	14.2 ±.2	15.7 ±.2
C (HT. W/O CLOSURE)..:	13.8 ±.2	15.3 ±.2
D (WIDTH).....:	8.66 ±.16	12.6 ±.2
E (DEPTH).....:	6.03 ±.12	9.0 ±.2
X (MAX DEPTH).....:	10.5	14.5
W.T.(NOM WALL THK)...:	0.08	0.08

NOTES:

1. ALL DIMENSIONS ARE NOMINAL AND IN INCHES AND MILLIMETERS UNLESS OTHERWISE NOTED.
2. THIS IS NOT A PRODUCTION DRAWING, BUT IS FOR INFORMATIONAL PURPOSES ONLY, AND IS SUBJECT TO CHANGE WITHOUT NOTICE.



SPECS ON BACK

NOT TO SCALE

CONFIDENTIAL

THIS PRODUCT SPECIFICATION SHEET CONTAINS CONFIDENTIAL AND/OR PROPRIETARY INFORMATION AND IS TO BE USED ONLY FOR THE EXPRESSED PURPOSES AGREED UPON BY AN AUTHORIZED OFFICER OF THERMO FISHER SCIENTIFIC.

**ThermoFisher**  
SCIENTIFIC

Thermo Fisher Scientific  
75 Panorama Creek Drive  
Rochester, NY 14625-2385, USA

MADE	TL	APP'D	GRP	PSS 00-232X-XXXX-1	REV.
CK'D	PB		2/29/12		0212

DESCRIPTION:  
RECTANGULAR CARBOYS  
WITH SPIGOT