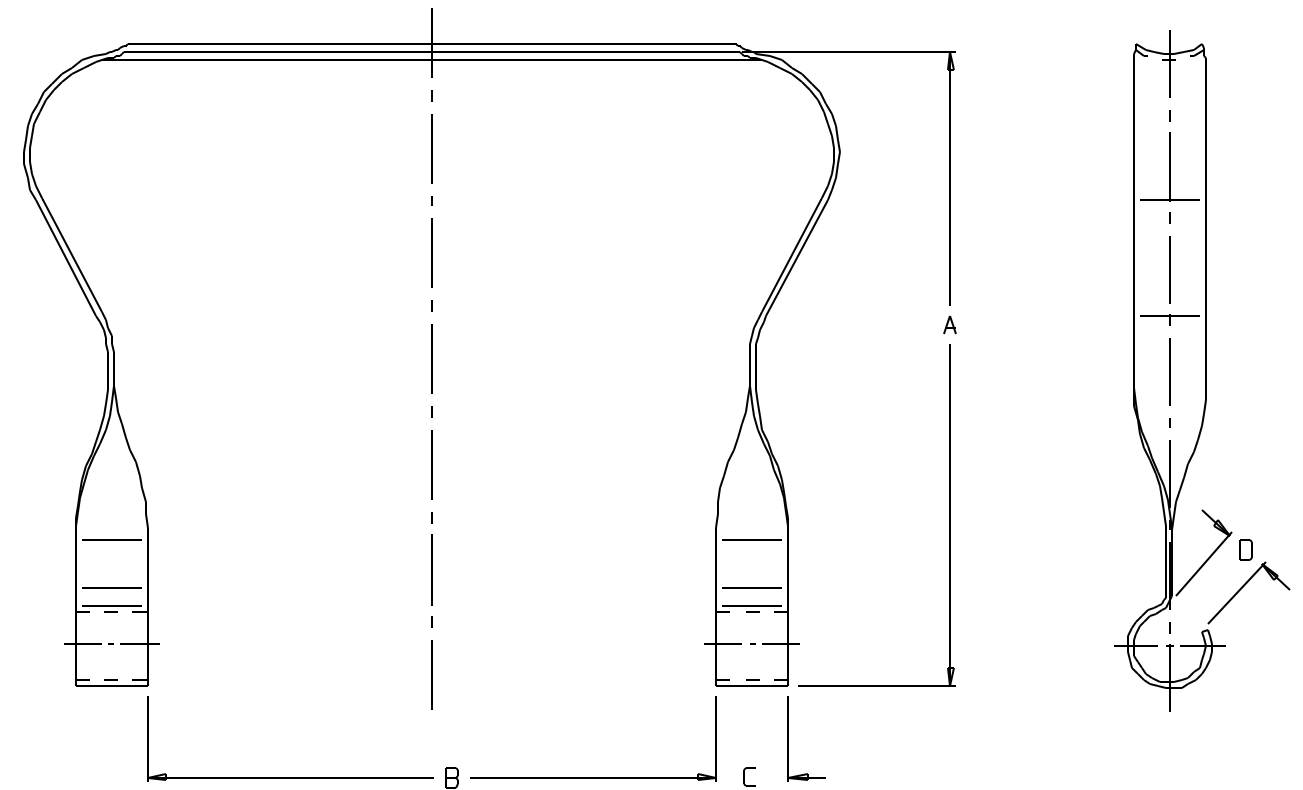


CATALOG NUMBER.....:	002229-0001	
MATERIAL.....:	16 GA. #304 S.S.	
NOM. WEIGHT (gms)...:	140	
	INCHES	MM
A (HEIGHT).....:	6.6 ±.2	168 ±5
B.....:	5.9 ±.4	150 ±10
C (FLAT).....:	0.75±.03	19.1±0.8
D.....:	0.45±.06	11.4±1.5



SPECS ON BACK

NOT TO SCALE

NOTES:

1. ALL DIMENSIONS ARE NOMINAL AND IN INCHES AND MILLIMETERS UNLESS OTHERWISE NOTED.
2. THIS IS NOT A PRODUCTION DRAWING, BUT IS FOR INFORMATIONAL PURPOSES ONLY, AND IS SUBJECT TO CHANGE WITHOUT NOTICE.

CONFIDENTIAL

THIS PRODUCT SPECIFICATION SHEET CONTAINS CONFIDENTIAL AND/OR PROPRIETARY INFORMATION AND IS TO BE USED ONLY FOR THE EXPRESSED PURPOSES AGREED UPON BY AN AUTHORIZED OFFICER OF THERMO FISHER SCIENTIFIC.

**ThermoFisher**  
SCIENTIFIC

Thermo Fisher Scientific  
75 Panorama Creek Drive  
Rochester, NY 14625-2385, USA

MADE	JGJ	APP'D	PVC	PSS 00-2229-0001	REV.	0798
CK'D	PB		7/16/98			

DESCRIPTION:

SINGLE USE CARBOY HANDLE