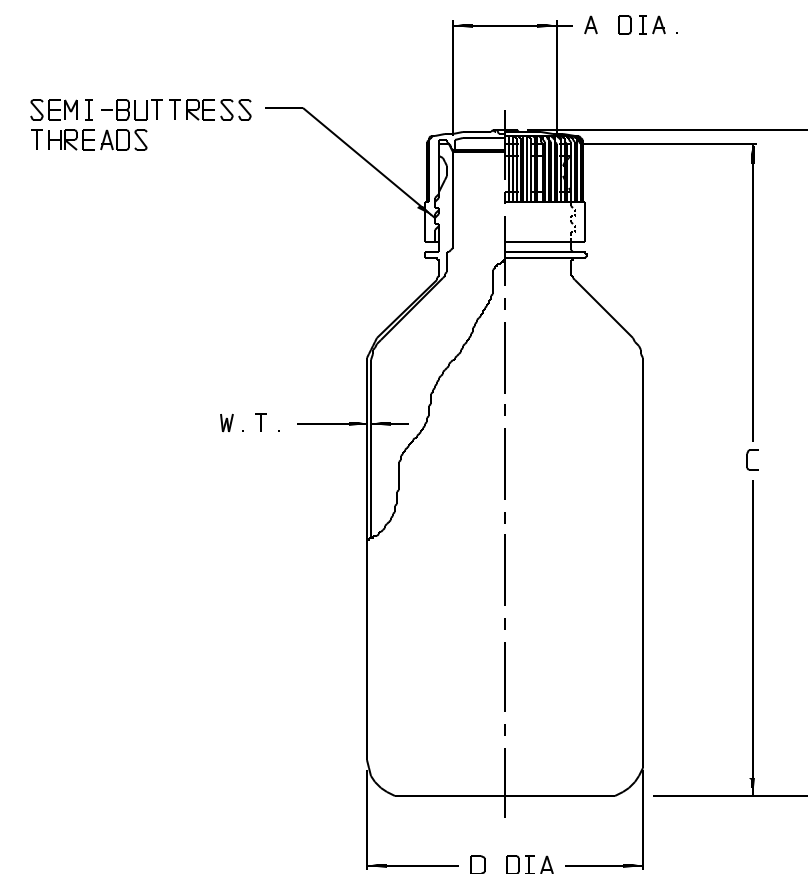


CATALOG NO.	NOMINAL CAPACITY (oz.)		MATERIALS	
			BOTTLE	CLOSURE
002205	16	32	PC	PP

SIZE CODE.....:	-0016		-0032	
SIZE (NOM VOL mL/oz):	500/16		1000/32	
NOM. BRIM CAP. (mL):	625		1090	
NECK FINISH (mm):	38-430		38-430	
THREAD (T.P.I.):	6		6	
NOM. WEIGHT W/CLOSURE (gms):	101		160	
	INCHES	MM	INCHES	MM
A (NECK I.D.):	1.100 ±0.025	27.94 ±0.64	1.100 ±0.025	27.94 ±0.64
B (HT. W/CLOSURE):	7.0 ±0.10	177.8 ±2.5	9.05 ±0.10	229.9 ±2.5
C (HT. W/O CLOSURE):	6.87 ±0.10	174.5 ±2.5	8.88 ±0.10	225.6 ±2.5
D (DIA):	3.22 ±0.08	81.8 ±2.0	3.64 ±0.08	92.5 ±2.0
W.T. (NOM WALL THK):	0.06	1.5	0.06	1.5

NOTES:

1. ALL DIMENSIONS ARE NOMINAL AND IN INCHES AND MILLIMETERS UNLESS OTHERWISE NOTED.
2. THIS IS NOT A PRODUCTION DRAWING, BUT IS FOR INFORMATIONAL PURPOSES ONLY, AND IS SUBJECT TO CHANGE WITHOUT NOTICE.



SPECS ON BACK

NOT TO SCALE

CONFIDENTIAL

THIS PRODUCT SPECIFICATION SHEET CONTAINS CONFIDENTIAL AND/OR PROPRIETARY INFORMATION AND IS TO BE USED ONLY FOR THE EXPRESSED PURPOSES AGREED UPON BY AN AUTHORIZED OFFICER OF THERMO FISHER SCIENTIFIC.

**ThermoFisher**  
SCIENTIFIC

Thermo Fisher Scientific  
75 Panorama Creek Drive  
Rochester, NY 14625-2385, USA

MADE NS/JD	APP'D GRP	PSS 00-2205-00XX-1	REV.
CK'D DM	1/25/05		0105

DESCRIPTION: LARGE, NARROW-MOUTH ROUND BOTTLES