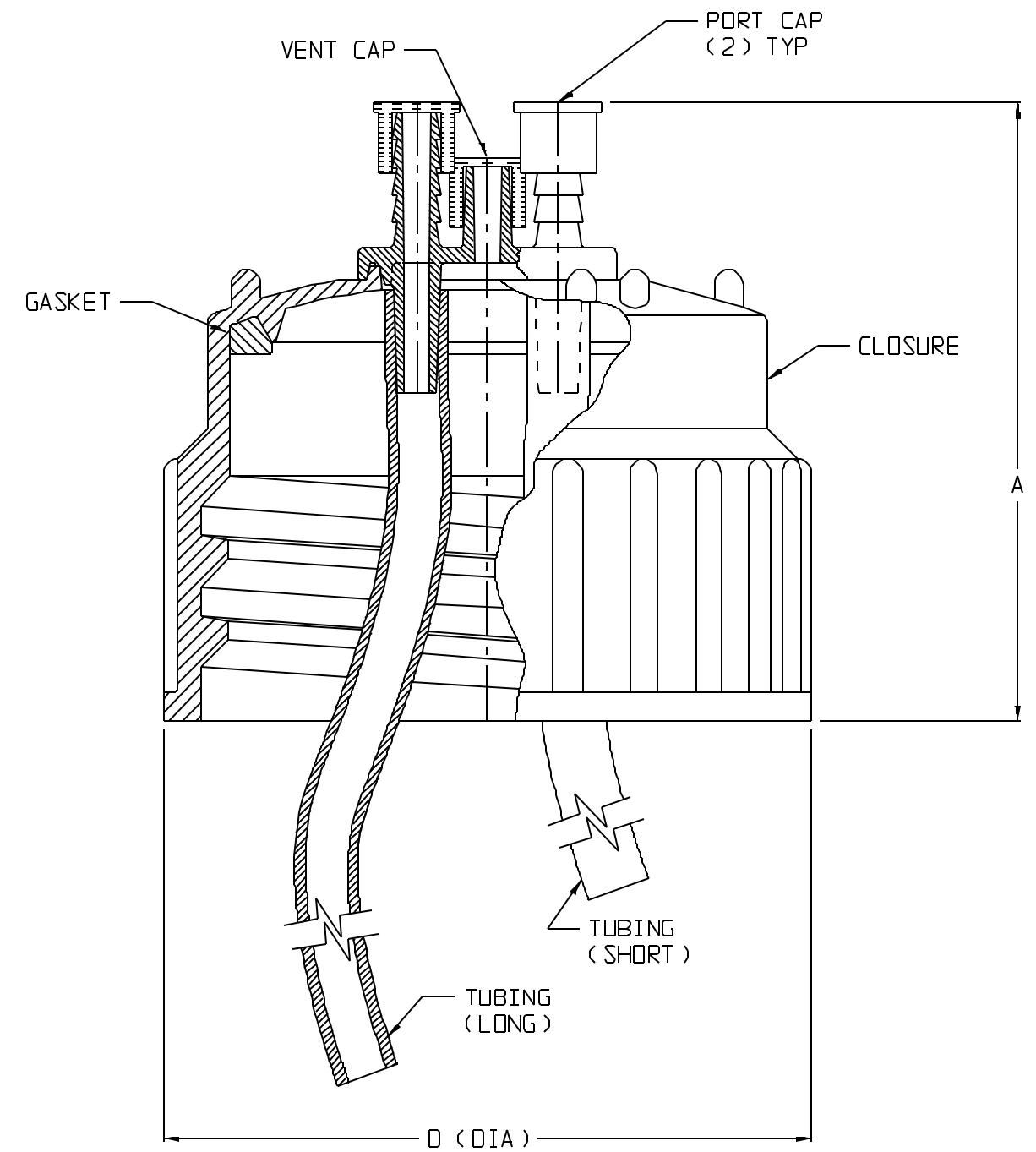


CLOSURE SIZES				MATERIALS				
CAT. NO.	53B (1/4" PORT)	83B (1/4" PORT)	83B (1/2" PORT)	CLOSURE	GASKET	TUBING	PORT CAP	VENT CAP
2162				PP (WHITE)	TPE	NALGENE 50 PLATINUM CURED SILICONE	TPE	TPE

SIZE CODE.....	-0531		-0830		-0831	
THREAD FINISH (mm).....	53		83		83	
THREAD (T.P.I.).....	4		2		2	
NOM. WEIGHT (ASSEMBLED gm).....	62		210		140	
A (NOMINAL HEIGHT).....	INCH	MM	INCH	MM	INCH	MM
	2.7	69	3.9	99	3.9	99
D (DIA).....	2.58	65.5	4.00	101.6	4.00	101.6
BARBED PORT SIZE (inch):	1/4		1/2		1/4	
VENT PORT SIZE (inch):	1/4		3/8		1/4	

- NOTES:
- 53B-CLOSURES ARE SUPPLIED WITH A 4' SHORT TUBE AND A 18" LONG TUBE ATTACHED.
 - 83B-CLOSURES ARE SUPPLIED WITH A 6" SHORT TUBE AND A 30" LONG TUBE ATTACHED.



SPECS ON BACK

NOT TO SCALE

- NOTES:
- ALL DIMENSIONS ARE NOMINAL AND IN INCHES AND MILLIMETERS UNLESS OTHERWISE NOTED.
 - THIS IS NOT A PRODUCTION DRAWING, BUT IS FOR INFORMATIONAL PURPOSES ONLY, AND IS SUBJECT TO CHANGE WITHOUT NOTICE.

CONFIDENTIAL

THIS PRODUCT SPECIFICATION SHEET CONTAINS CONFIDENTIAL AND/OR PROPRIETARY INFORMATION AND IS TO BE USED ONLY FOR THE EXPRESSED PURPOSES AGREED UPON BY AN AUTHORIZED OFFICER OF THERMO FISHER SCIENTIFIC.

ThermoFisher
SCIENTIFIC

Thermo Fisher Scientific
75 Panorama Creek Drive
Rochester, NY 14625-2385, USA

MADE	MC ²	APP'D	PVC	PSS 00-2162-XXXX-1	REV. 0502
CK'D	PVC		5/16/02		

FILLING/VENTING CLOSURES